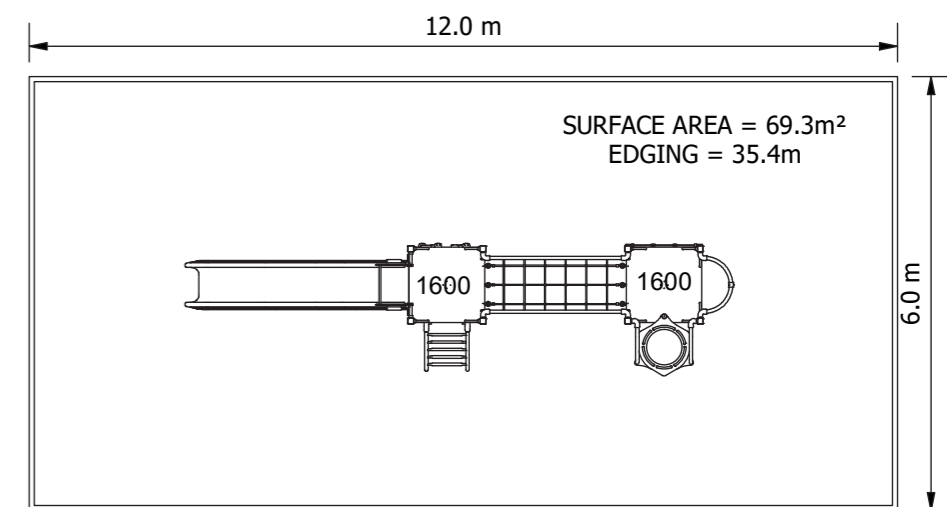
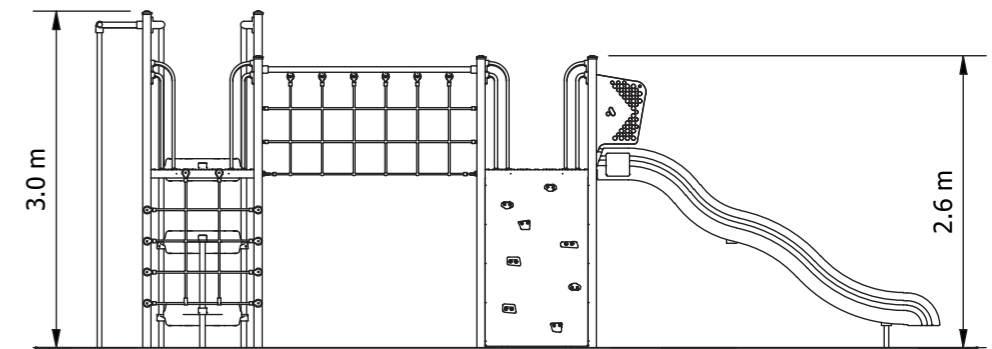


Selma School Units Range



Product Code: SCH003



Required Space
6.0 X 12.0 m



Area
69.3m²



Age Group
5-10



Max FHof
1600mm



Equipment Height
3200mm