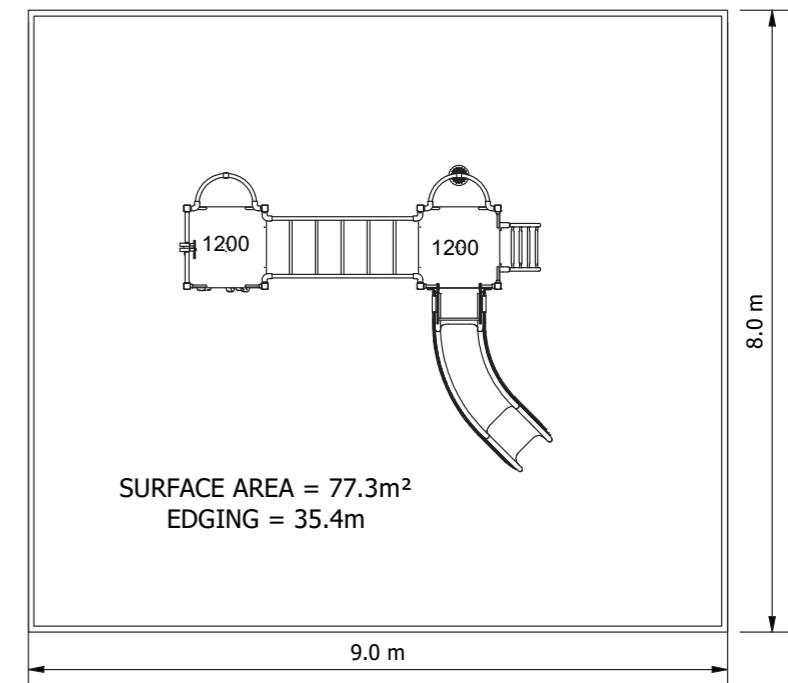
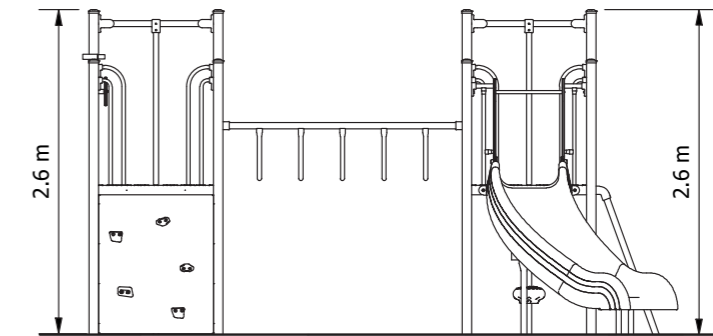


Sam School Units Range



Product Code: SCH002



Required Space
9.0 X 8.0 m



Area
77.3m²



Age Group
2-8



Max FHoF
1200mm



Equipment Height
2600mm