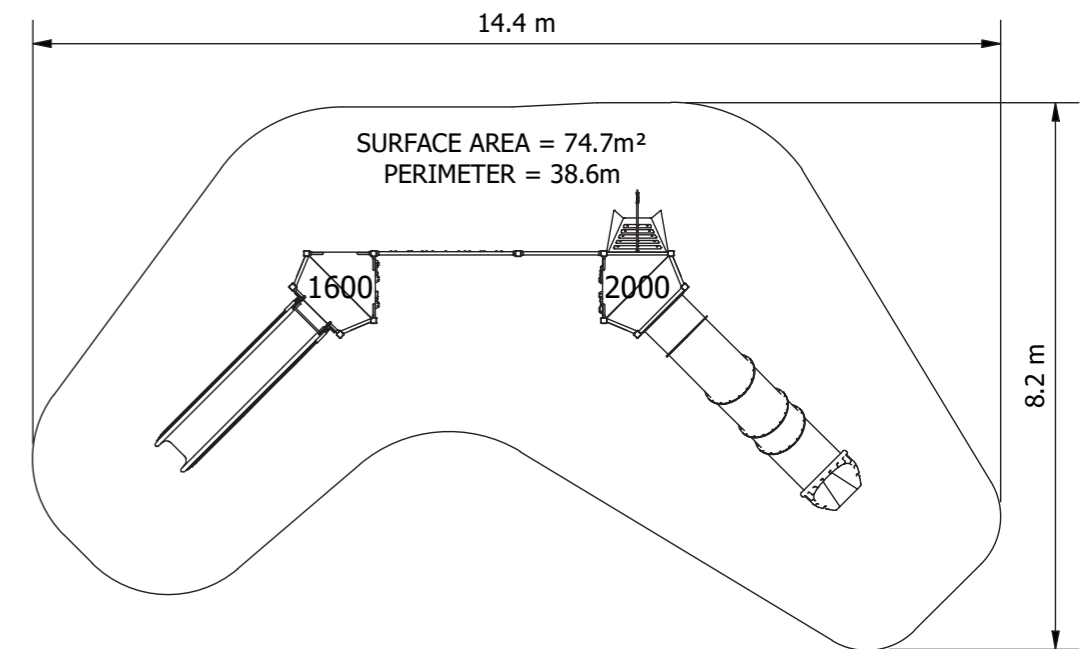
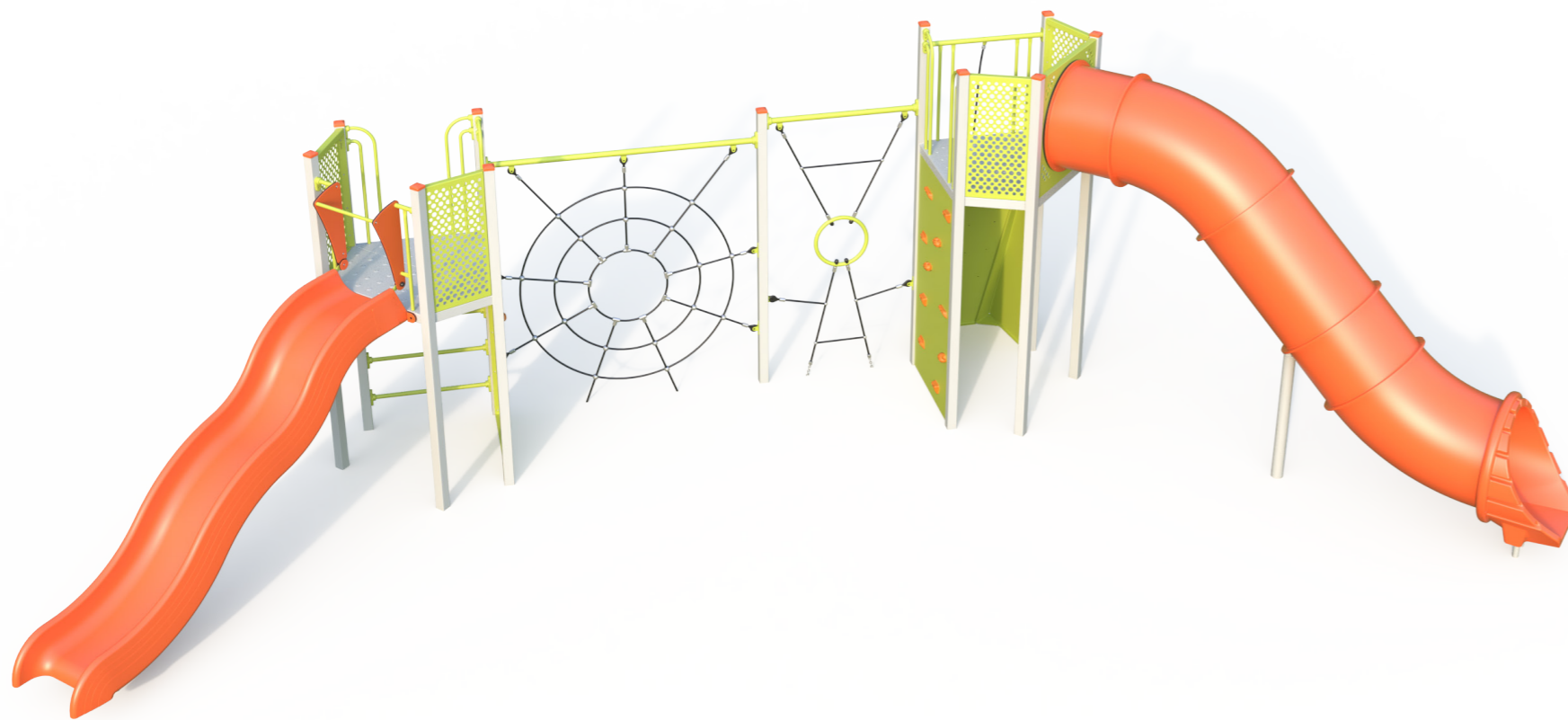
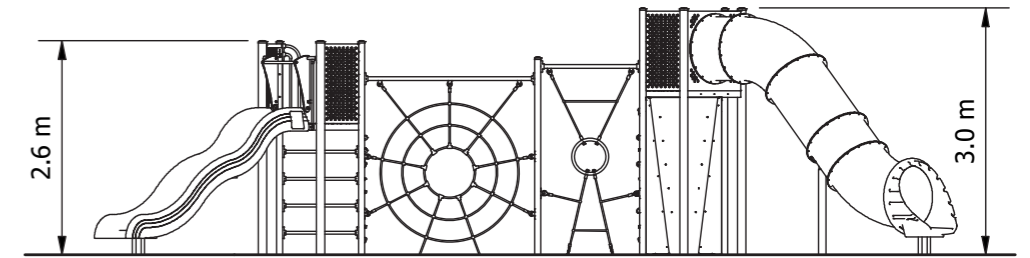
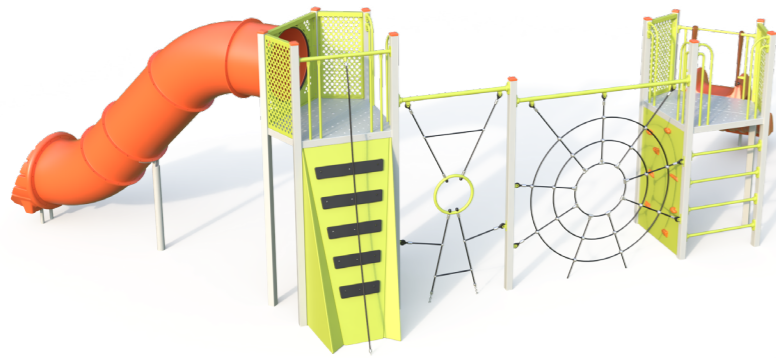


Orion Contemporary Range

A stunning, modern design that combines strong architectural forms with streamlined materials and aesthetics. Feature elements are made from chromated & powder coated Aluminium plate for maximum marine grade durability. The user experience is at the core of the design, with flow, inclusivity and opportunities for surprise and delight.



Product Code: PS2022_006C



Required Space
8.2m x 14.4m²



Area
74.7m²



Age Group
2-12



Max FHoF
2975mm



Equipment Height
3010mm