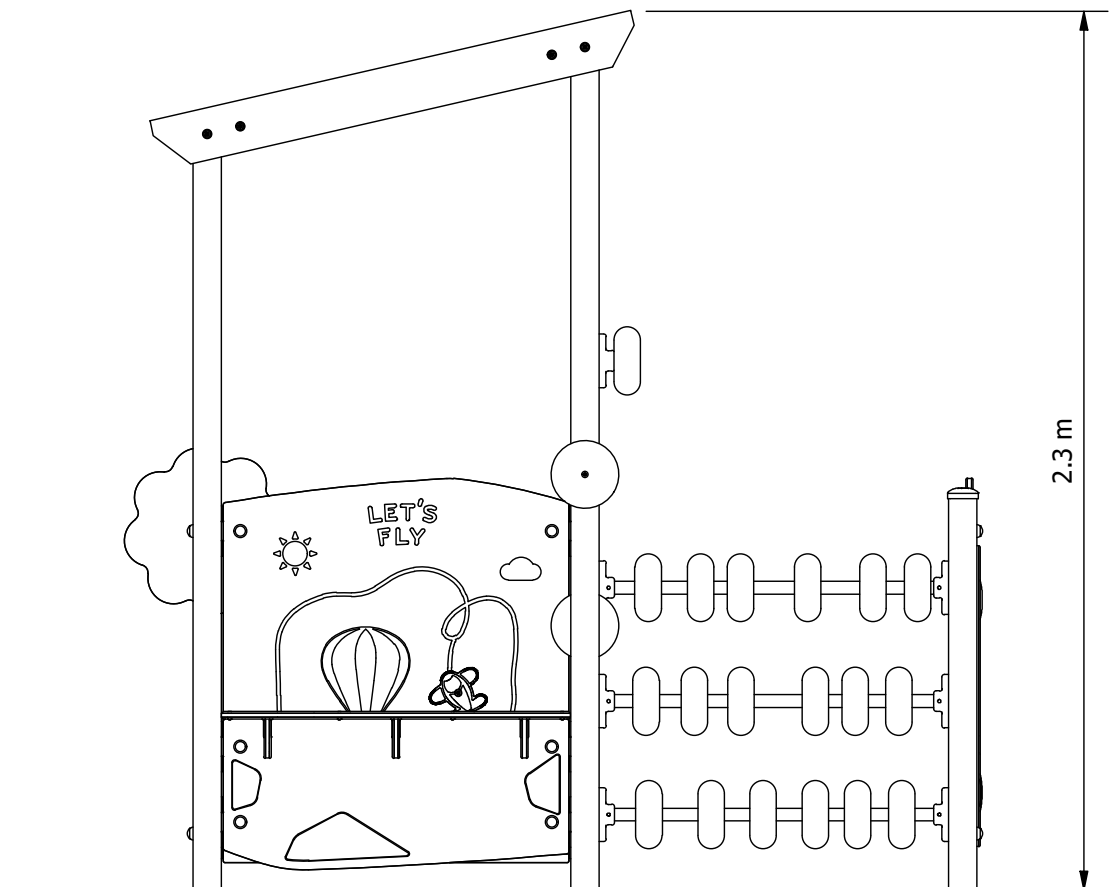
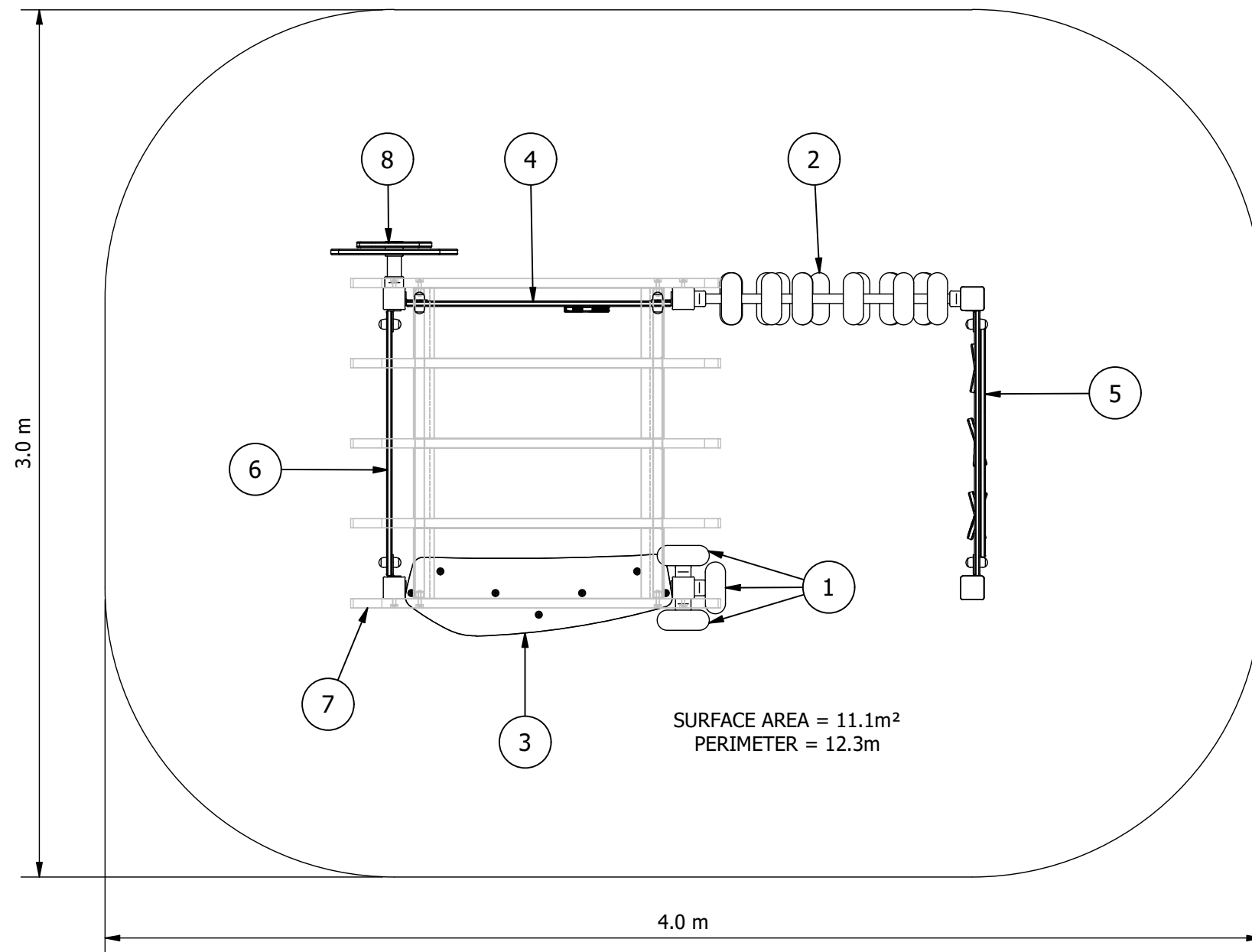


EQUIPMENT INVENTORY			
ITEM	DESCRIPTION	QTY	FHF (mm)
1	PS Clatter Wheel	3	N/A
2	PS Donut Panel - 3 Row	1	N/A
3	PS Shop Front Geo	1	N/A
4	PS Let's Fly Panel HDPE	1	N/A
5	PS Find the Pairs Panel HDPE	1	N/A
6	PS House Panel HDPE	1	N/A
7	PS Timber Slat Roof 1x1	1	N/A
8	Spinning Flower - Spigot Mounted	1	N/A



**ELEVATION:**

RECOMMENDED MINIMUM SHADE CLEARANCES

- 2.5M FROM ANY ACCESSIBLE PART OF THE EQUIPMENT TO ANY CLIMBABLE PART OF THE SHADE STRUCTURE
- 1.5M FOR ALL OTHER SITUATIONS

Site Layout is indicative only & subject to change.  
This design is confidential & subject to Copyright.

PLAYGROUND DESIGN COMPLIANT  
WITH AS 4685:2021



**Design Plan**

Design No: **PS2022\_018J-A**

Drawn by: **S.J.**

Date drawn: **25/03/2022**