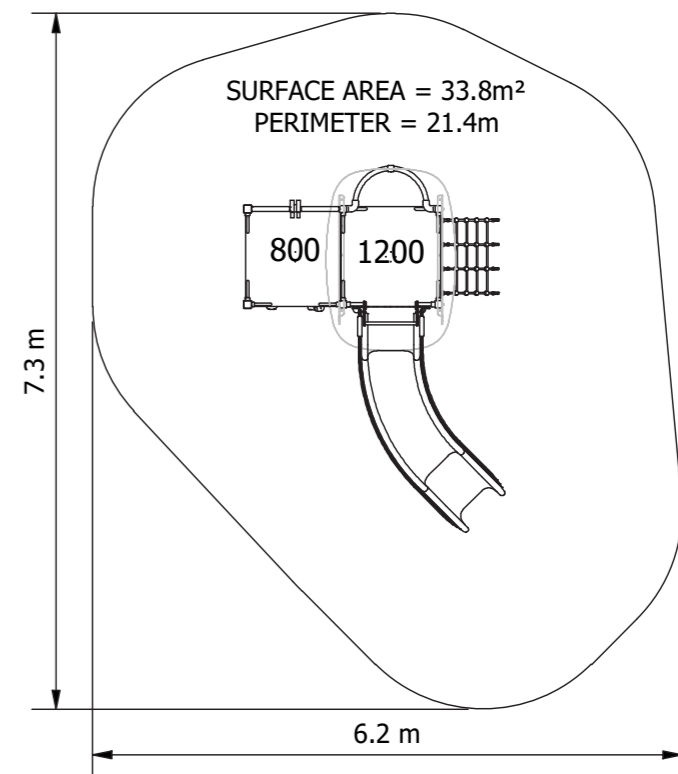
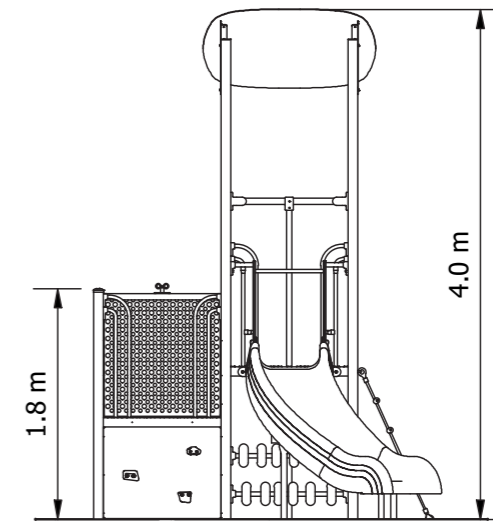


Ion Contemporary Range

A stunning, modern design that combines strong architectural forms with streamlined materials and aesthetics. Feature elements are made from chromated & powder coated Aluminium plate for maximum marine grade durability. The user experience is at the core of the design, with flow, inclusivity and opportunities for surprise and delight.



Product Code: PS2022_001C



Required Space
6.2m x 7.3m²



Area
33.8m²



Age Group
2-12



Max FHof
1430mm



Equipment Height
4010mm

