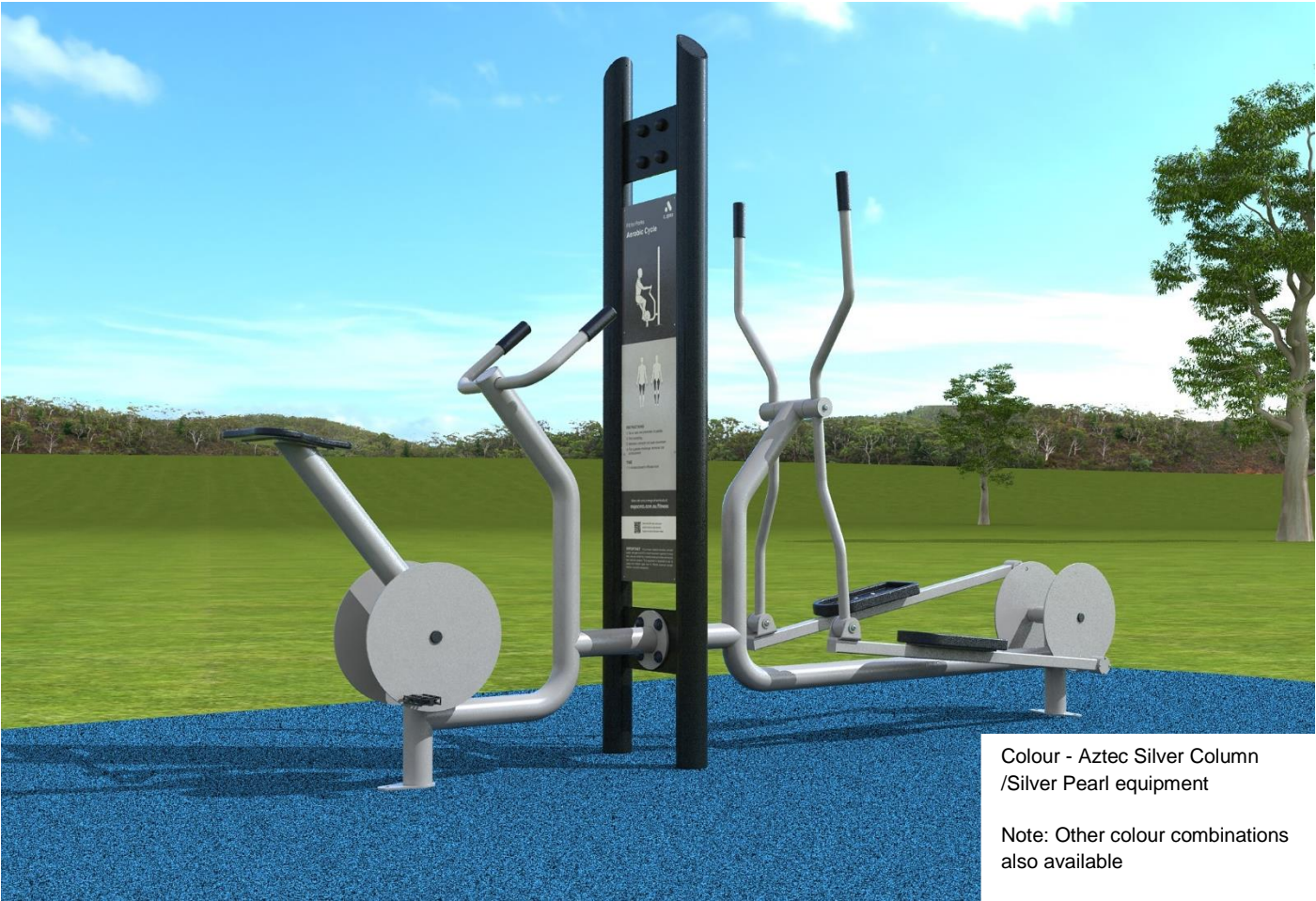


Fit for Parks Aerobic Cycle & Elliptical Trainer

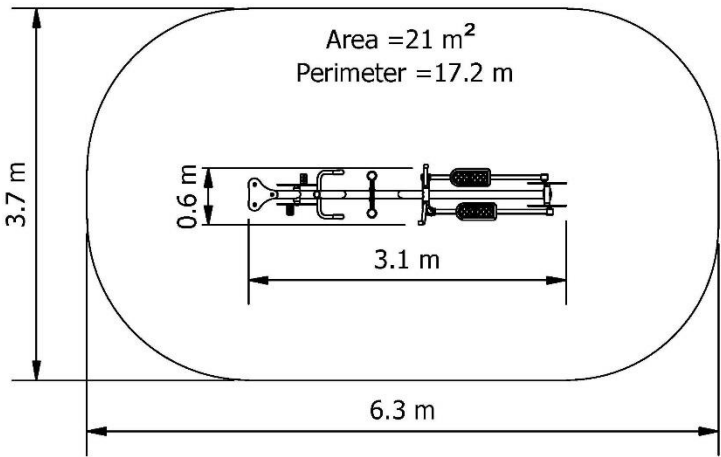
Product Code:
DFP-AC+ET

Footing:
Inground depicted (Surface Mount also available)



Colour - Aztec Silver Column /Silver Pearl equipment

Note: Other colour combinations also available



Indicative area required for AS4685 fallzones

