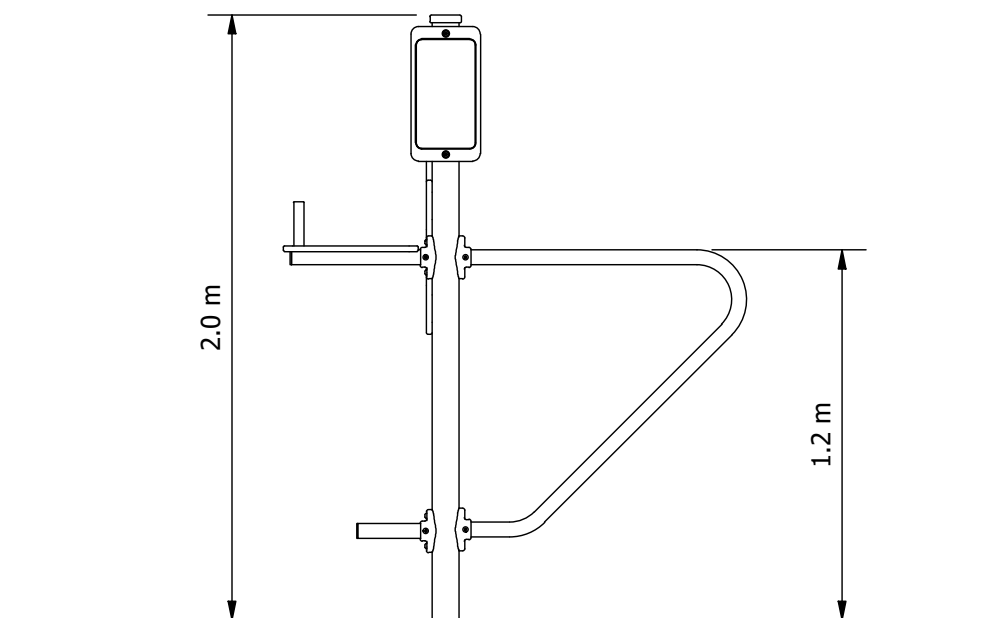
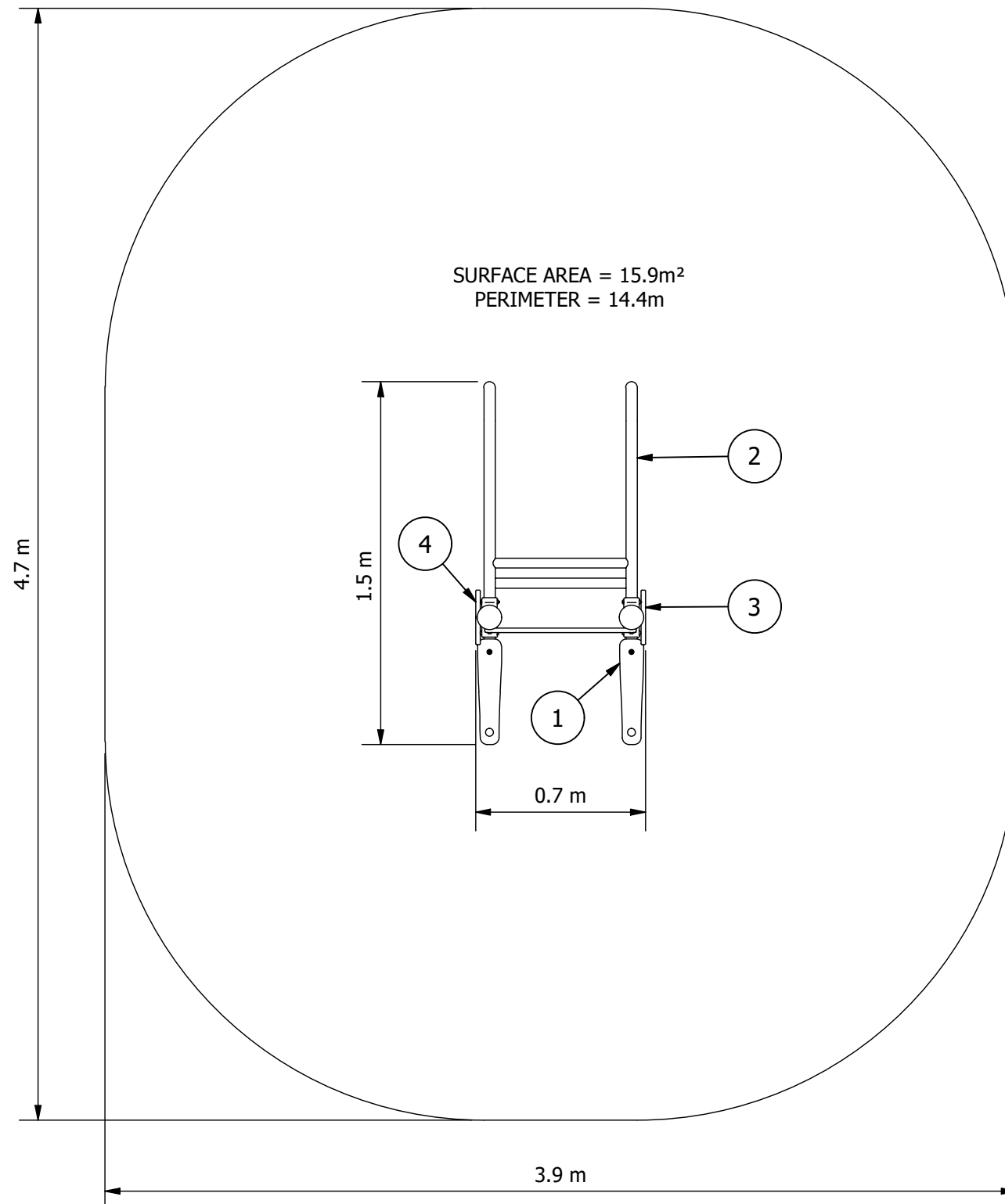


EQUIPMENT INVENTORY			
ITEM	DESCRIPTION	QTY	FHF (mm)
1	FITX Leg Raises	1	240
2	FITX Body Dips	1	225
3	FITX Leg Raises - Sign	1	N/A
4	FITX Body Dip - Sign	1	N/A



ELEVATION

- RECOMMENDED MINIMUM SHADE CLEARANCES
- 2.5M FROM ANY ACCESSIBLE PART OF THE EQUIPMENT TO ANY CLIMBABLE PART OF THE SHADE STRUCTURE
 - 1.5M FOR ALL OTHER SITUATIONS

Site Layout is indicative only & subject to change.
This design is confidential & subject to Copyright.

FITNESS DESIGN COMPLIANT
WITH AS 16630:2021.



Design Plan

Design No: **DFX-0078S-C** | Drawn by: **S.J.**
Date drawn: **19/07/2021**