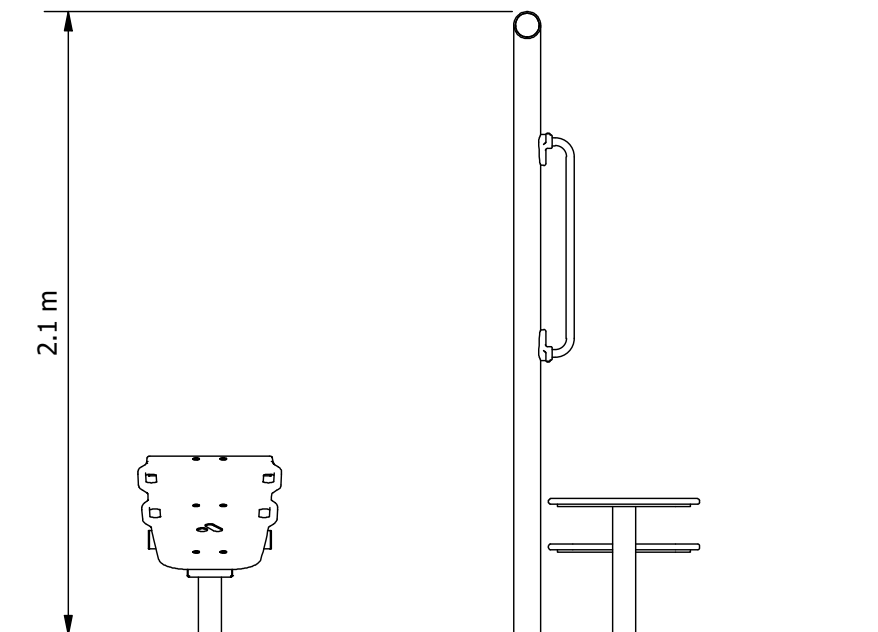
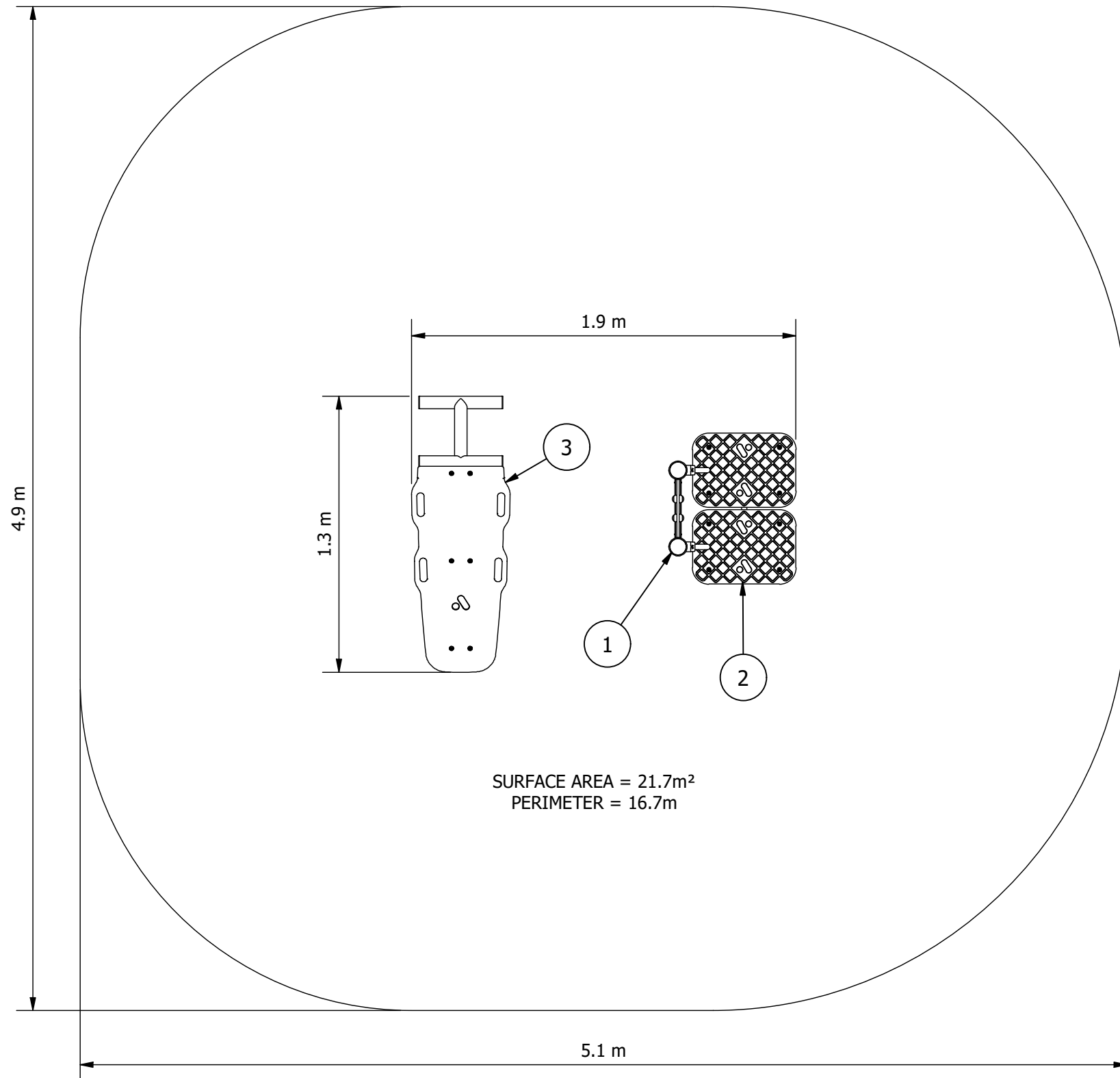


# Fit-for-Parks Sit Up (20°) & Step Ups (300-450)

EQUIPMENT INVENTORY			
ITEM	DESCRIPTION	QTY	FHF (mm)
1	FFP Central Column Double - I/G	1	N/A
2	FFP Step Up Station 300 & 450 - I/G	1	450
3	FFP Sit Up Bench 20 Deg - I/G	1	590

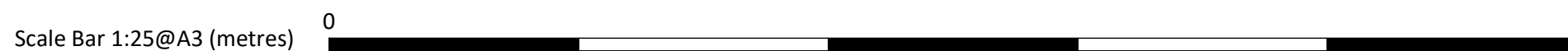


### ELEVATION

- RECOMMENDED MINIMUM SHADE CLEARANCES
- 2.5M FROM ANY ACCESSIBLE PART OF THE EQUIPMENT TO ANY CLIMBABLE PART OF THE SHADE STRUCTURE
  - 1.5M FOR ALL OTHER SITUATIONS

Site Layout is indicative only & subject to change.  
This design is confidential & subject to Copyright.

FITNESS DESIGN COMPLIANT  
WITH AS 16630:2021.



### Design Plan

Design No: **DFP-SU20-SU300-450-A** | Drawn by: **S.J.**  
Date drawn: **19/07/2021**