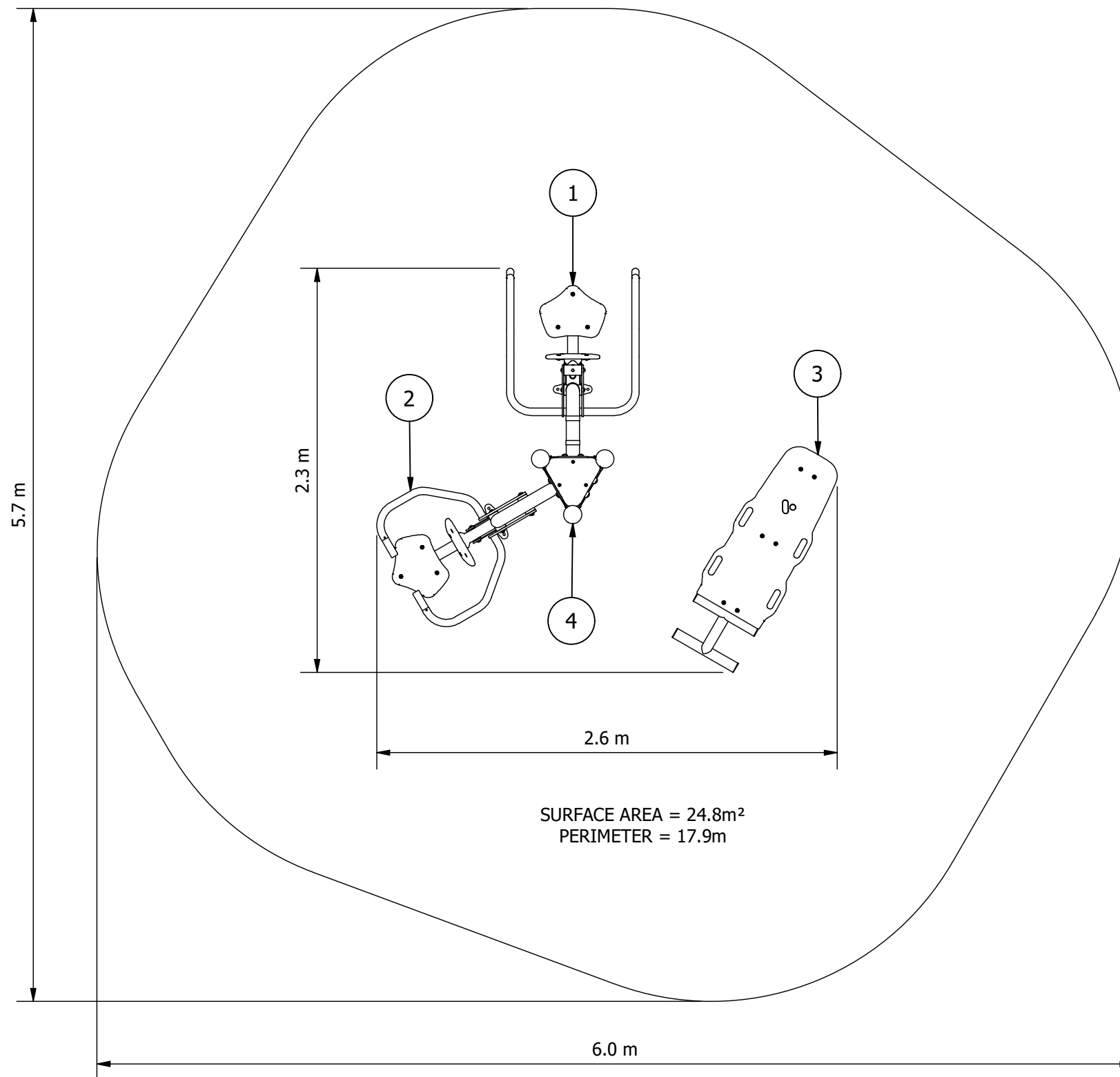
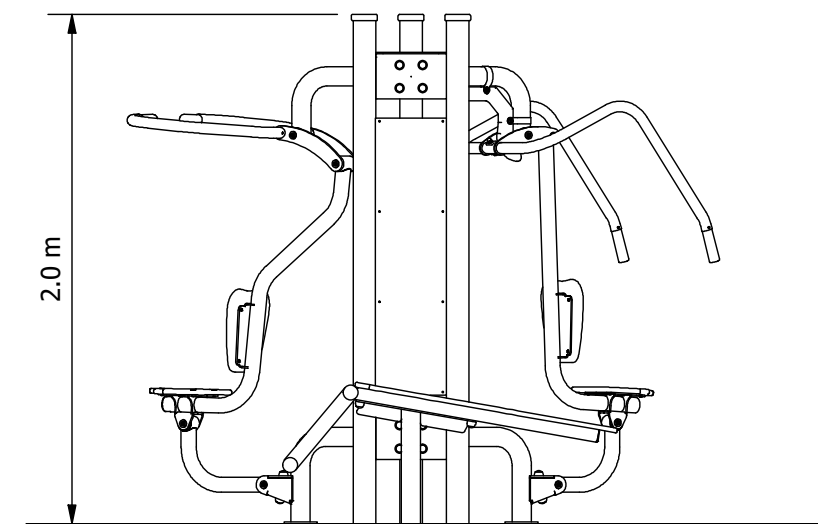


Fit-for-Parks Chest Press, Pull Downs & Sit Up Bench (10°)



EQUIPMENT INVENTORY			
ITEM	DESCRIPTION	QTY	FHF (mm)
1	FFP Chest Press - I/G	1	580
2	FFP Pull Downs - I/G	1	590
3	FFP Sit Up Bench 10 Deg - I/G	1	590
4	CENTRAL COLUMN ASSY - 3 SIDED - IN-GROUND - FLAT CAP	1	N/A



ELEVATION

- RECOMMENDED MINIMUM SHADE CLEARANCES
- 2.5M FROM ANY ACCESSIBLE PART OF THE EQUIPMENT TO ANY CLIMBABLE PART OF THE SHADE STRUCTURE
 - 1.5M FOR ALL OTHER SITUATIONS

Site Layout is indicative only & subject to change.
This design is confidential & subject to Copyright.

FITNESS DESIGN COMPLIANT
WITH AS 16630:2021.

Scale Bar 1:30@A3 (metres) 0 5

Design Plan

Design No: **DFP-CP-PD-SU10deg-B** | Drawn by: **J.M.**
Date drawn: **30/08/2022**