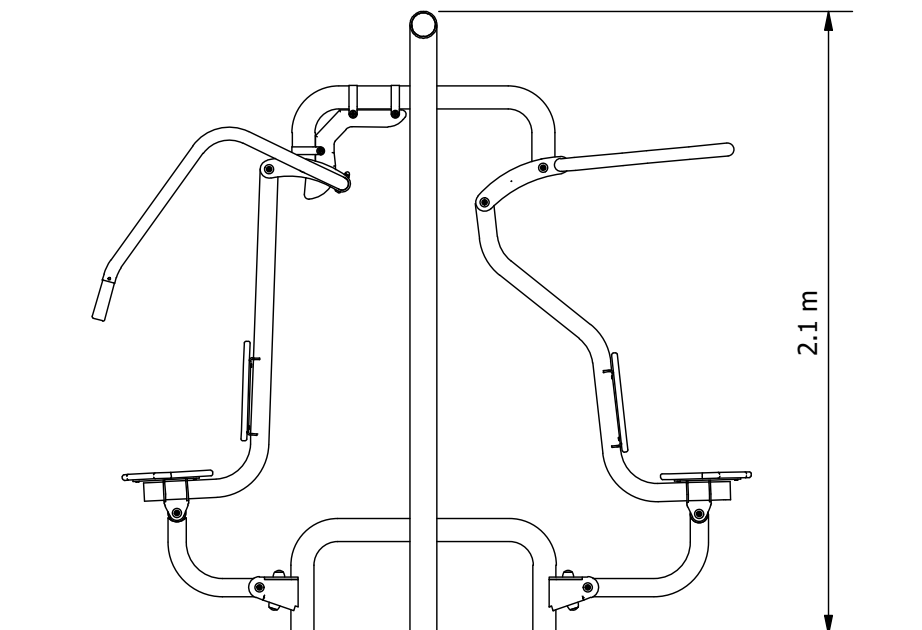
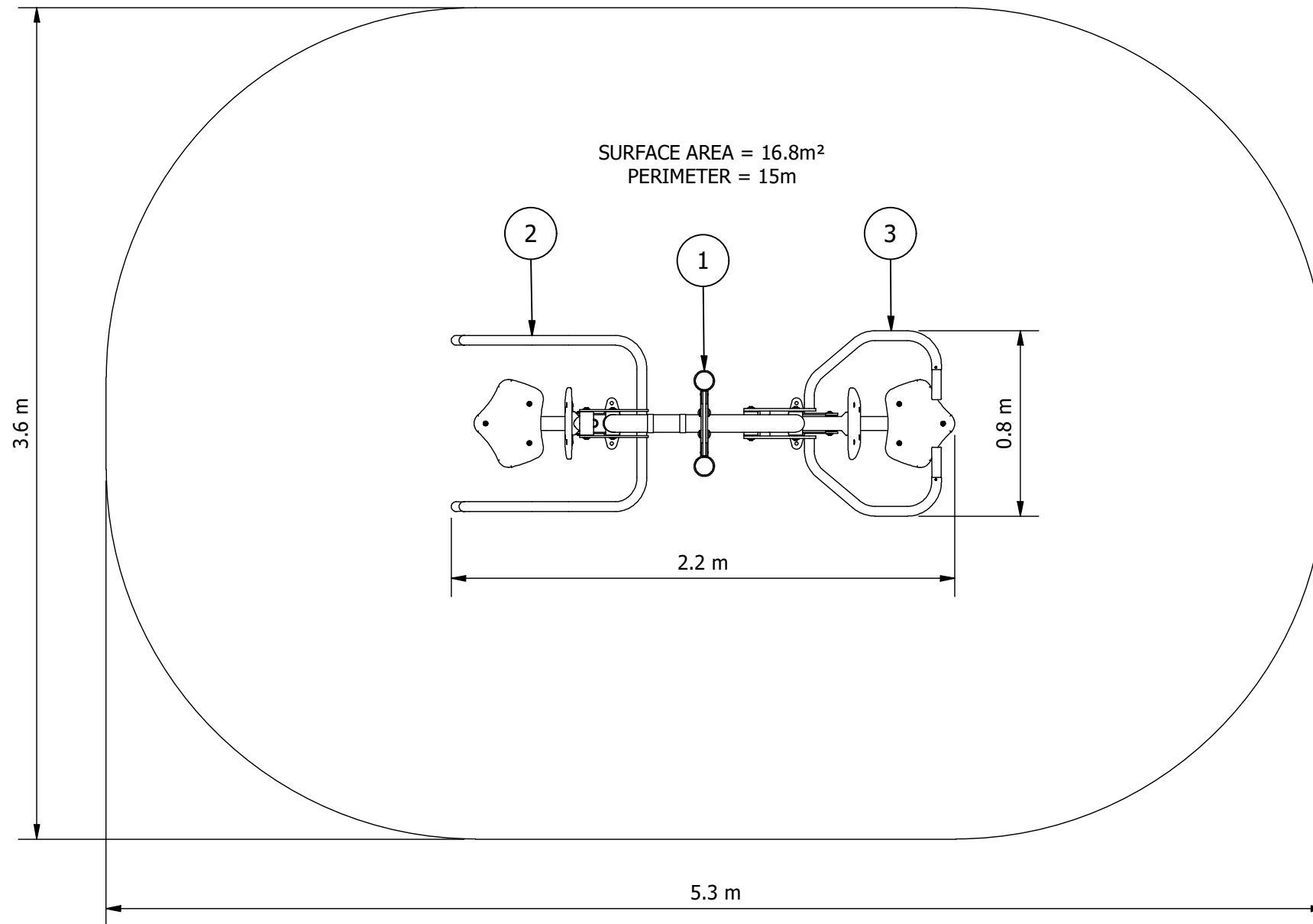


EQUIPMENT INVENTORY			
ITEM	DESCRIPTION	QTY	FHF (mm)
1	FFP Central Column Double - I/G	1	N/A
2	FFP Chest Press - I/G	1	580
3	FFP Pull Downs - I/G	1	590



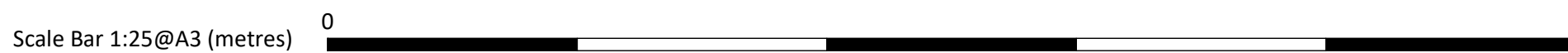
ELEVATION

RECOMMENDED MINIMUM SHADE CLEARANCES

- 2.5M FROM ANY ACCESSIBLE PART OF THE EQUIPMENT TO ANY CLIMBABLE PART OF THE SHADE STRUCTURE
- 1.5M FOR ALL OTHER SITUATIONS

Site Layout is indicative only & subject to change.
This design is confidential & subject to Copyright.

FITNESS DESIGN COMPLIANT
WITH AS 16630:2021.



Design Plan

Design No: **DFP-CP-PD-A** | Drawn by: **S.J.**
Date drawn: **8/07/2021**