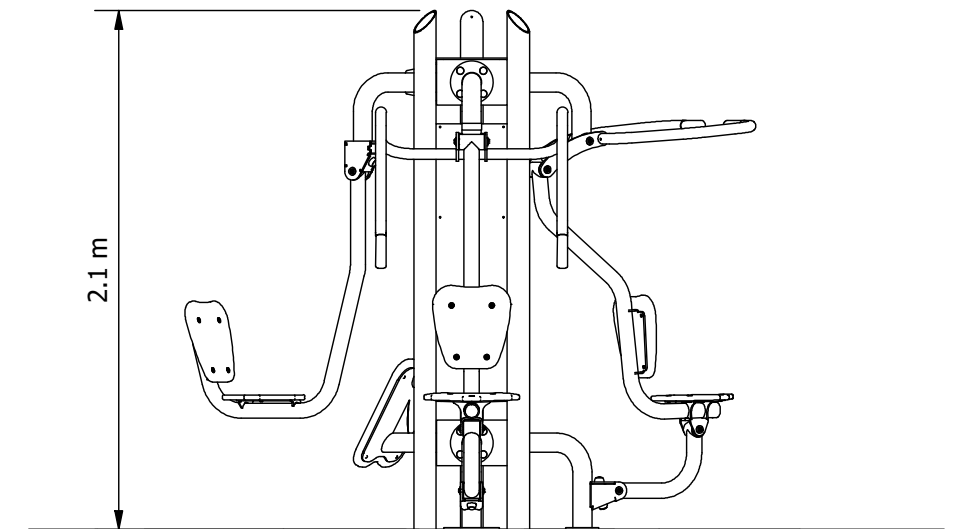


EQUIPMENT INVENTORY			
ITEM	DESCRIPTION	QTY	FHF (mm)
1	FFP Leg Press - Common	1	860
2	FFP Central Column Triple - I/G	1	N/A
3	FFP Chest Press - I/G	1	580
4	FFP Pull Downs - I/G	1	590



**ELEVATION**

- RECOMMENDED MINIMUM SHADE CLEARANCES
- 2.5M FROM ANY ACCESSIBLE PART OF THE EQUIPMENT TO ANY CLIMBABLE PART OF THE SHADE STRUCTURE
  - 1.5M FOR ALL OTHER SITUATIONS

Site Layout is indicative only & subject to change.  
This design is confidential & subject to Copyright.

FITNESS DESIGN COMPLIANT  
WITH AS 16630:2021.



**Design Plan**

Design No: **DFP-CP-LP-PD-D** | Drawn by: **S.J.**  
Date drawn: **9/07/2021**