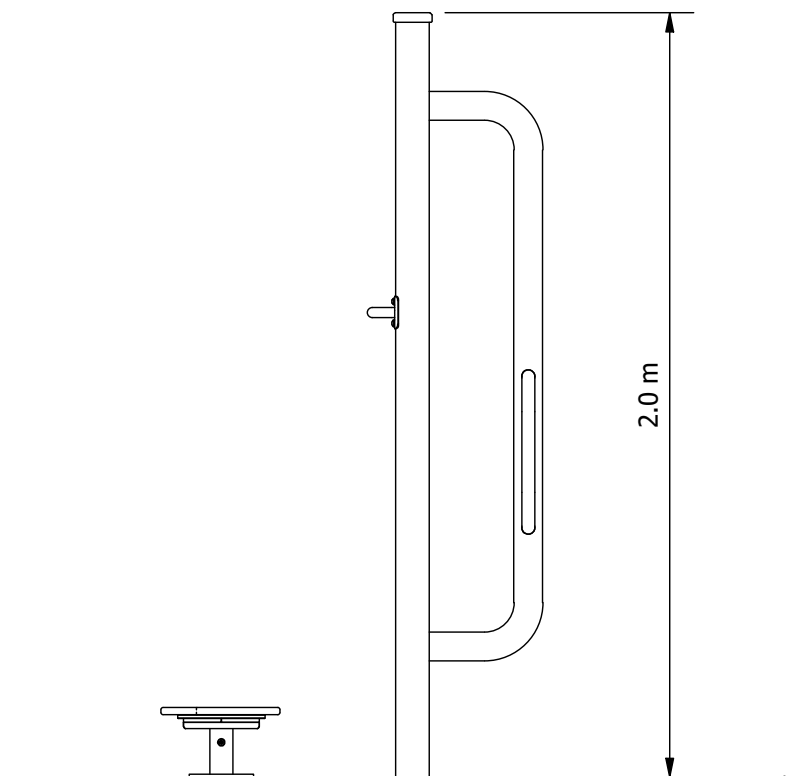


EQUIPMENT INVENTORY			
ITEM	DESCRIPTION	QTY	FHF (mm)
1	FFP Stretch Station - Common	1	N/A
2	FFP Body Twist - I/G	1	130
3	Central Column ASSY - 2 SIDED - IN - GROUND - FLAT CAP	1	N/A



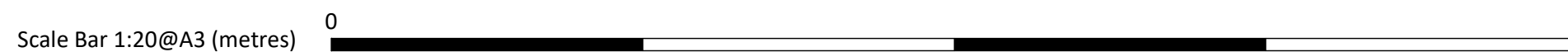
**ELEVATION**

RECOMMENDED MINIMUM SHADE CLEARANCES

- 2.5M FROM ANY ACCESSIBLE PART OF THE EQUIPMENT TO ANY CLIMBABLE PART OF THE SHADE STRUCTURE
- 1.5M FOR ALL OTHER SITUATIONS

Site Layout is indicative only & subject to change.  
This design is confidential & subject to Copyright.

FITNESS DESIGN COMPLIANT  
WITH AS 16630:2021.



**Design Plan**

Design No:

**DFP-BT-SS-C**

Drawn by: **J.M.**

Date drawn: **23/08/2022**