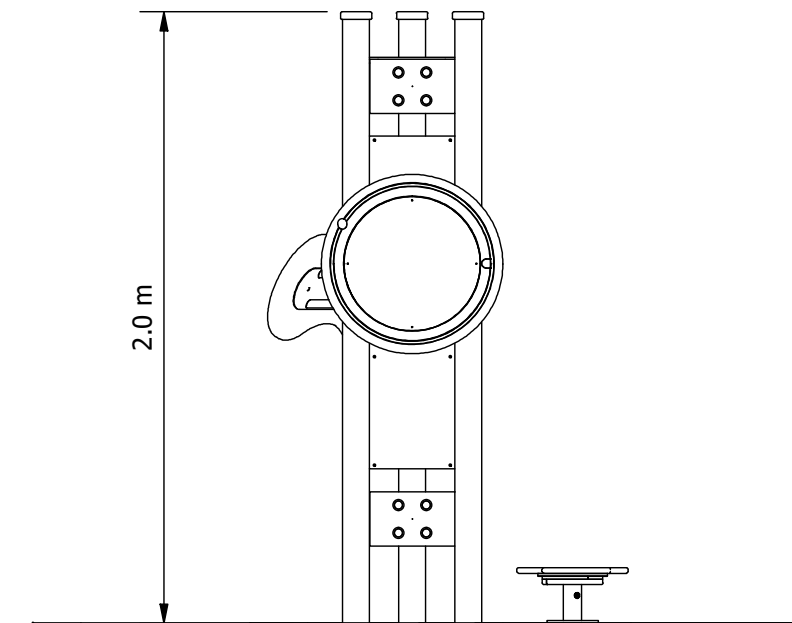
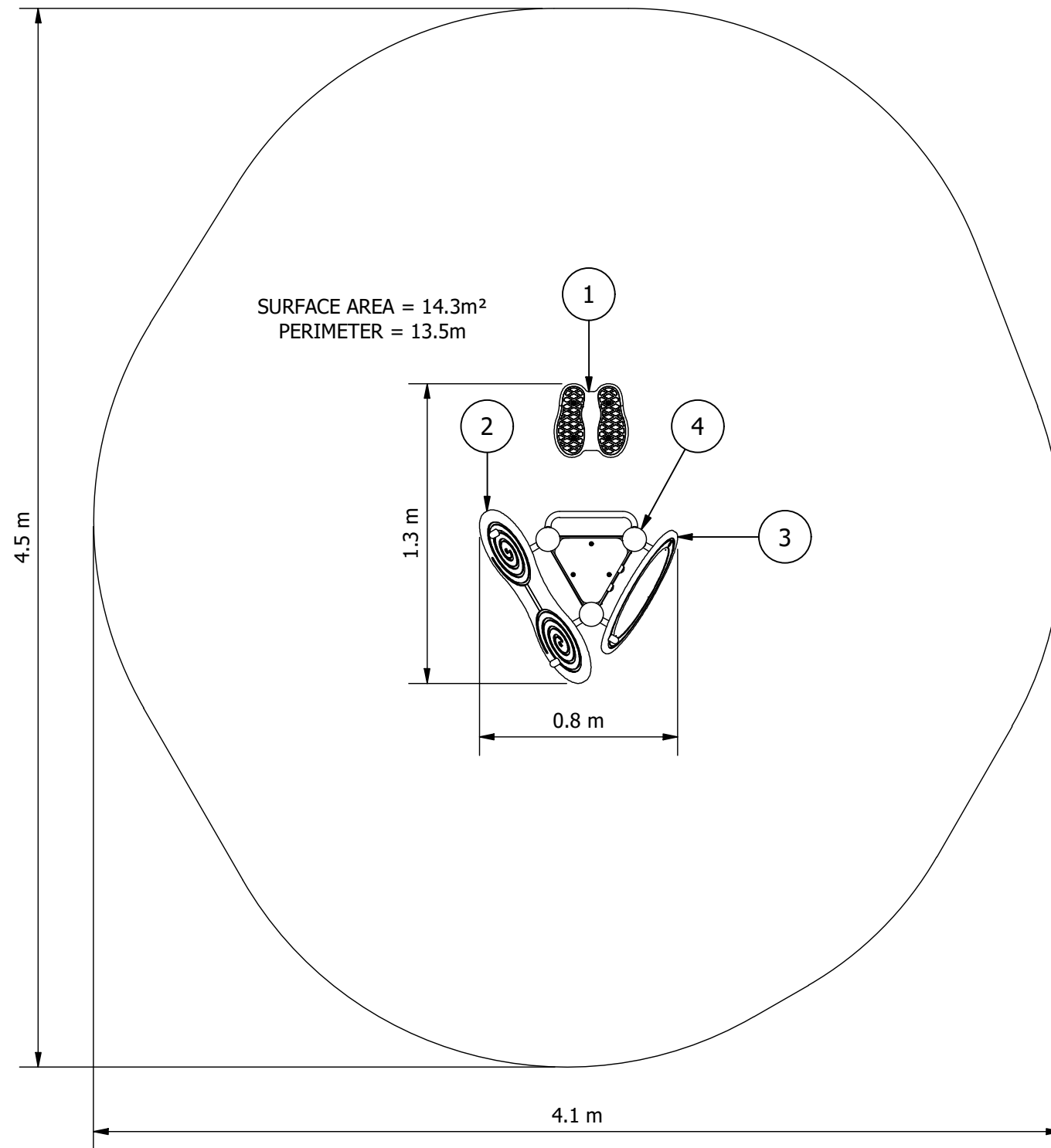


EQUIPMENT INVENTORY			
ITEM	DESCRIPTION	QTY	FHF (mm)
1	FFP Body Twist - I/G	1	130
2	FFP Dexterity Builder - Common	1	N/A
3	FFP Shoulder Mobility Wheel - Common	1	N/A
4	CENTRAL COLUMN ASSY - 3 SIDED - IN-GROUND - FLAT CAP	1	N/A



ELEVATION

- RECOMMENDED MINIMUM SHADE CLEARANCES
- 2.5M FROM ANY ACCESSIBLE PART OF THE EQUIPMENT TO ANY CLIMBABLE PART OF THE SHADE STRUCTURE
 - 1.5M FOR ALL OTHER SITUATIONS

Site Layout is indicative only & subject to change.
This design is confidential & subject to Copyright.

FITNESS DESIGN COMPLIANT
WITH AS 16630:2021.



Design Plan

Design No: **DFP-BT-DB-SM-B** | Drawn by: **J.M.**
Date drawn: **23/08/2022**