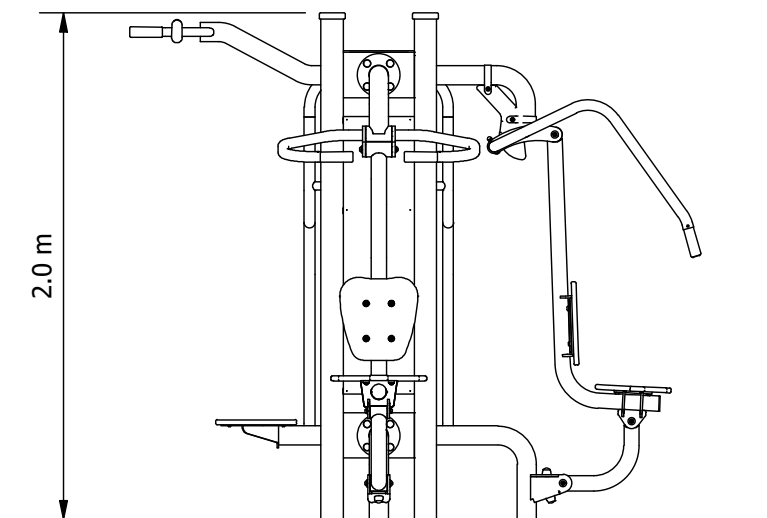


EQUIPMENT INVENTORY			
ITEM	DESCRIPTION	QTY	FHF (mm)
1	FFP Pull Ups & Leg Raises - Common	1	975
2	FFP Central Column Quad - I/G FLAT CAP	1	N/A
3	FFP Body Pulls & Push Ups - Column Mount Common	1	150
4	FFP Chest Press - I/G	1	580
5	FFP Pull Downs - I/G	1	590



ELEVATION

- RECOMMENDED MINIMUM SHADE CLEARANCES
- 2.5M FROM ANY ACCESSIBLE PART OF THE EQUIPMENT TO ANY CLIMBABLE PART OF THE SHADE STRUCTURE
 - 1.5M FOR ALL OTHER SITUATIONS

Site Layout is indicative only & subject to change.
 This design is confidential & subject to Copyright.

FITNESS DESIGN COMPLIANT
 WITH AS 16630:2021.



Design Plan

Design No: **DFP-BP-CP-PD-PU-C** | Drawn by: **R.H.**
 Date drawn: **19/03/2024**