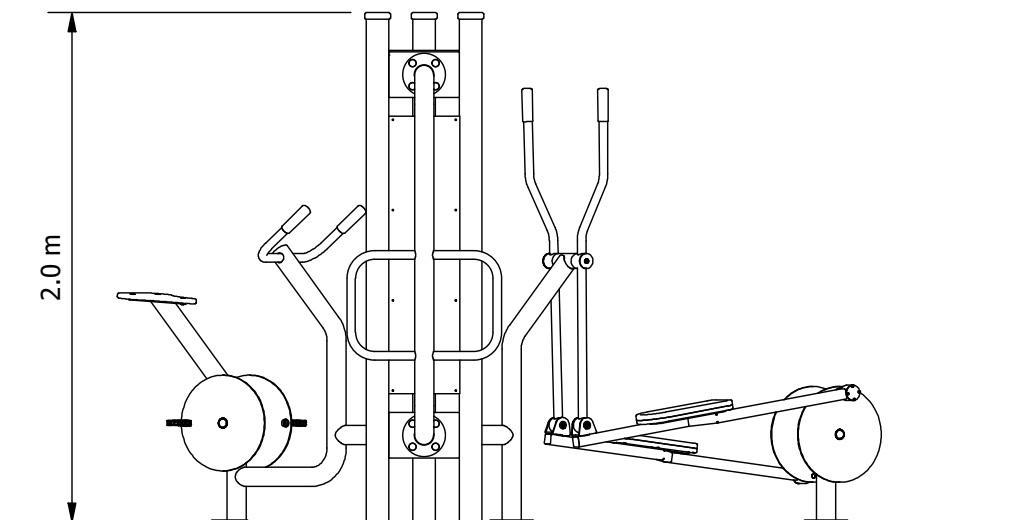


EQUIPMENT INVENTORY			
ITEM	DESCRIPTION	QTY	FHF (mm)
1	FFP Stretch Station - Common	1	N/A
2	FFP Aerobic Cycle - I/G	1	850
3	FFP Elliptical Trainer - I/G	1	400
4	CENTRAL COLUMN ASSY - 3 SIDED - IN-GROUND - FLAT CAP	1	N/A



ELEVATION

RECOMMENDED MINIMUM SHADE CLEARANCES

- 2.5M FROM ANY ACCESSIBLE PART OF THE EQUIPMENT TO ANY CLIMBABLE PART OF THE SHADE STRUCTURE
- 1.5M FOR ALL OTHER SITUATIONS

Site Layout is indicative only & subject to change.
 This design is confidential & subject to Copyright.

FITNESS DESIGN COMPLIANT
 WITH AS 16630:2021.



Design Plan

Design No:

DFP-AC-ET-SS-B

Drawn by: **J.M.**

Date drawn: **30/08/2022**