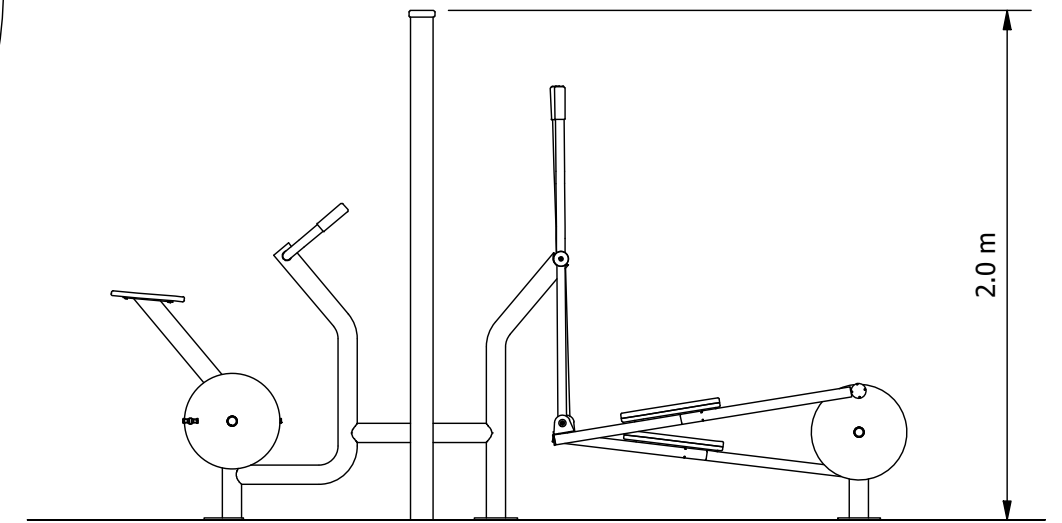
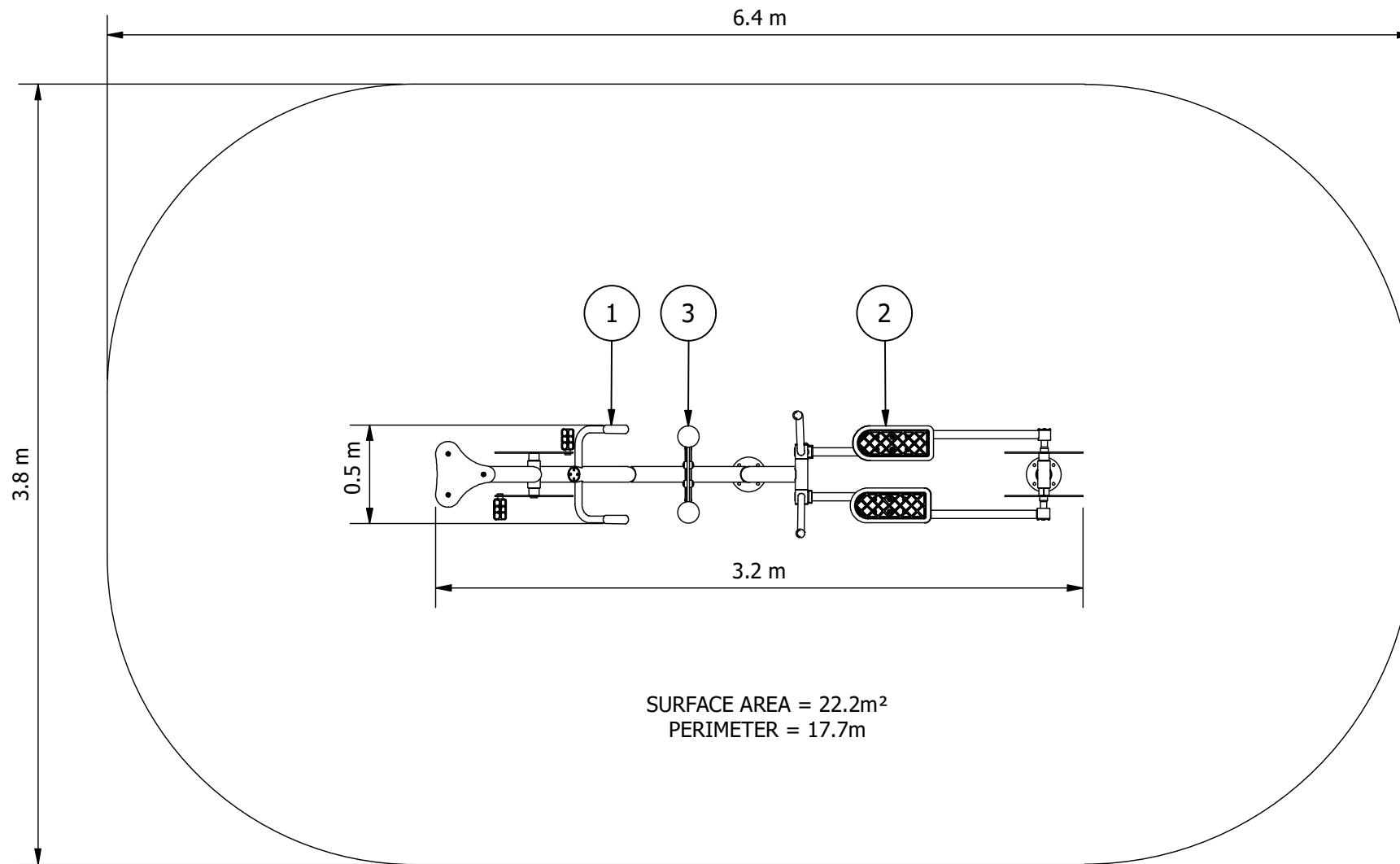


EQUIPMENT INVENTORY			
ITEM	DESCRIPTION	QTY	FHF (mm)
1	FFP Aerobic Cycle - I/G	1	850
2	FFP Elliptical Trainer - I/G	1	400
3	Central Column ASSY - 2 SIDED - IN - GROUND - FLAT CAP	1	N/A



**ELEVATION**

RECOMMENDED MINIMUM SHADE CLEARANCES

- 2.5M FROM ANY ACCESSIBLE PART OF THE EQUIPMENT TO ANY CLIMBABLE PART OF THE SHADE STRUCTURE
- 1.5M FOR ALL OTHER SITUATIONS

Site Layout is indicative only & subject to change.  
 This design is confidential & subject to Copyright.

FITNESS DESIGN COMPLIANT  
 WITH AS 16630:2021.



**Design Plan**

Design No:

**DFP-AC-ET-D**

Drawn by: **J.M.**

Date drawn: **23/08/2022**