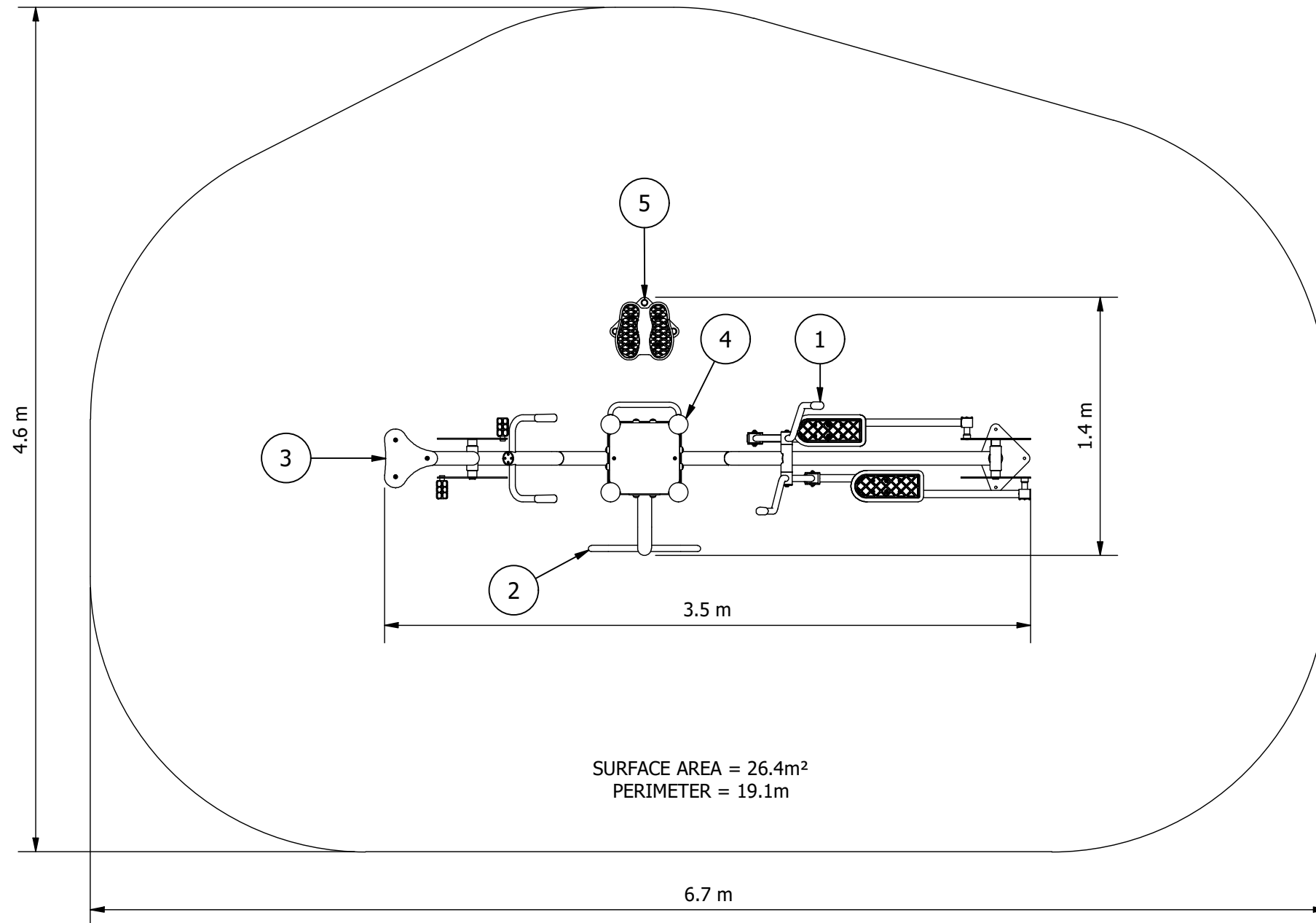
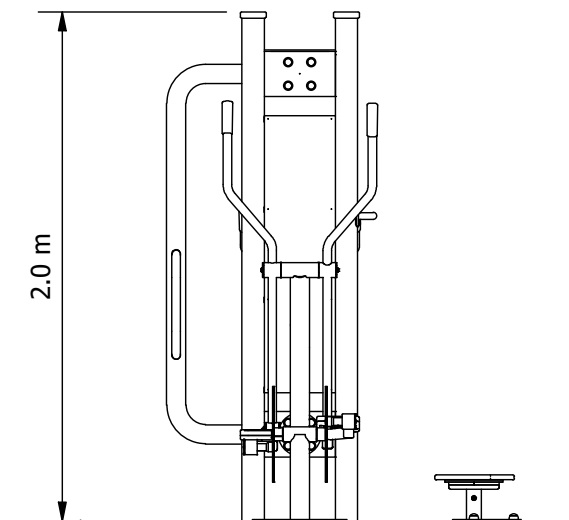


# Fit-for-Parks Aerobic Cycle, Body Twist, Elliptical Trainer & Stretch Station



EQUIPMENT INVENTORY			
ITEM	DESCRIPTION	QTY	FHF (mm)
1	FFP Elliptical Trainer - I/G	1	400
2	FFP Stretch Station - Common	1	N/A
3	FFP Aerobic Cycle - I/G	1	850
4	FFP Central Column Quad - I/G FLAT CAP	1	N/A
5	FFP Body Twist - I/G	1	130



### ELEVATION

#### RECOMMENDED MINIMUM SHADE CLEARANCES

- 2.5M FROM ANY ACCESSIBLE PART OF THE EQUIPMENT TO ANY CLIMBABLE PART OF THE SHADE STRUCTURE
- 1.5M FOR ALL OTHER SITUATIONS

Site Layout is indicative only & subject to change.  
This design is confidential & subject to Copyright.

FITNESS DESIGN COMPLIANT  
WITH AS 16630:2021.



### Design Plan

Design No:

**DFP-AC-BT-ET-SS-D**

Drawn by: **J.M.**

Date drawn: **9/02/2023**