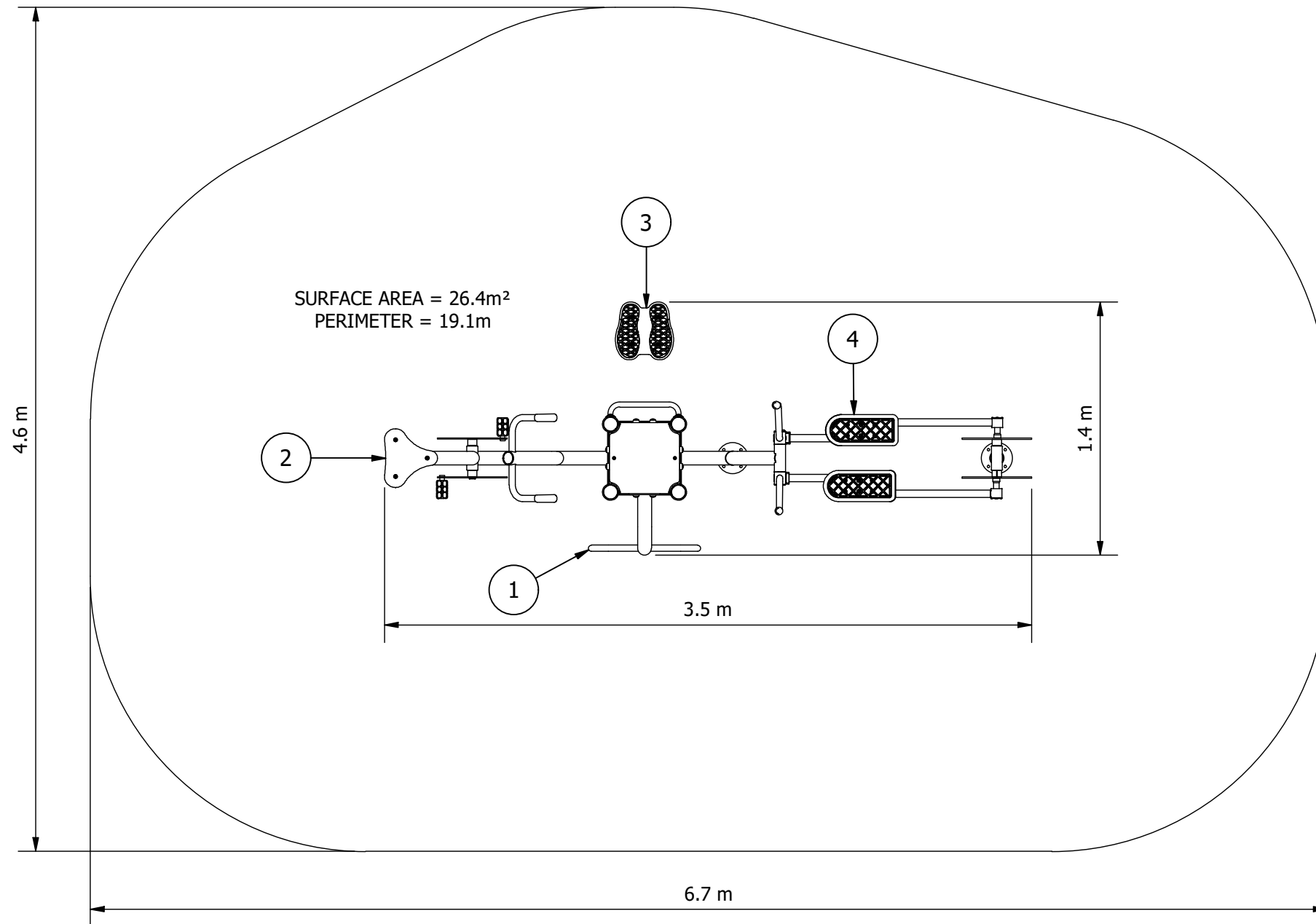
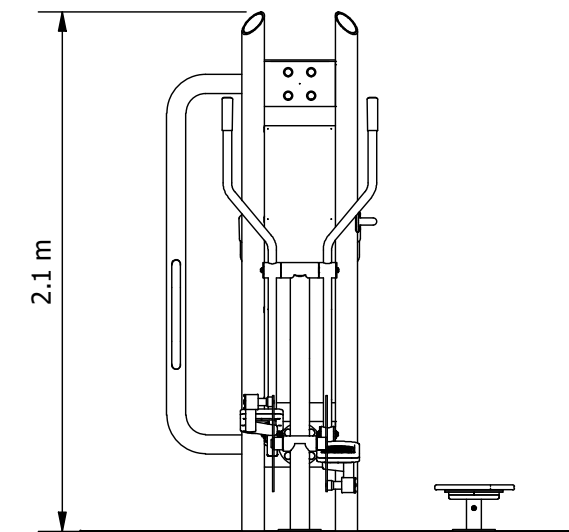


Fit-for-Parks Aerobic Cycle, Body Twist, Elliptical Trainer & Stretch Station



EQUIPMENT INVENTORY			
ITEM	DESCRIPTION	QTY	FHF (mm)
1	FFP Stretch Station - Common	1	N/A
2	FFP Aerobic Cycle - I/G	1	850
3	FFP Body Twist - I/G	1	130
4	FFP Elliptical Trainer - I/G	1	400
5	FFP Central Column Quad - I/G	1	N/A



ELEVATION

RECOMMENDED MINIMUM SHADE CLEARANCES

- 2.5M FROM ANY ACCESSIBLE PART OF THE EQUIPMENT TO ANY CLIMBABLE PART OF THE SHADE STRUCTURE
- 1.5M FOR ALL OTHER SITUATIONS

Site Layout is indicative only & subject to change.
This design is confidential & subject to Copyright.

FITNESS DESIGN COMPLIANT
WITH AS 16630:2021.



Design Plan

Design No:

DFP-AC-BT-ET-SS-A

Drawn by: **S.J.**

Date drawn: **5/01/2022**