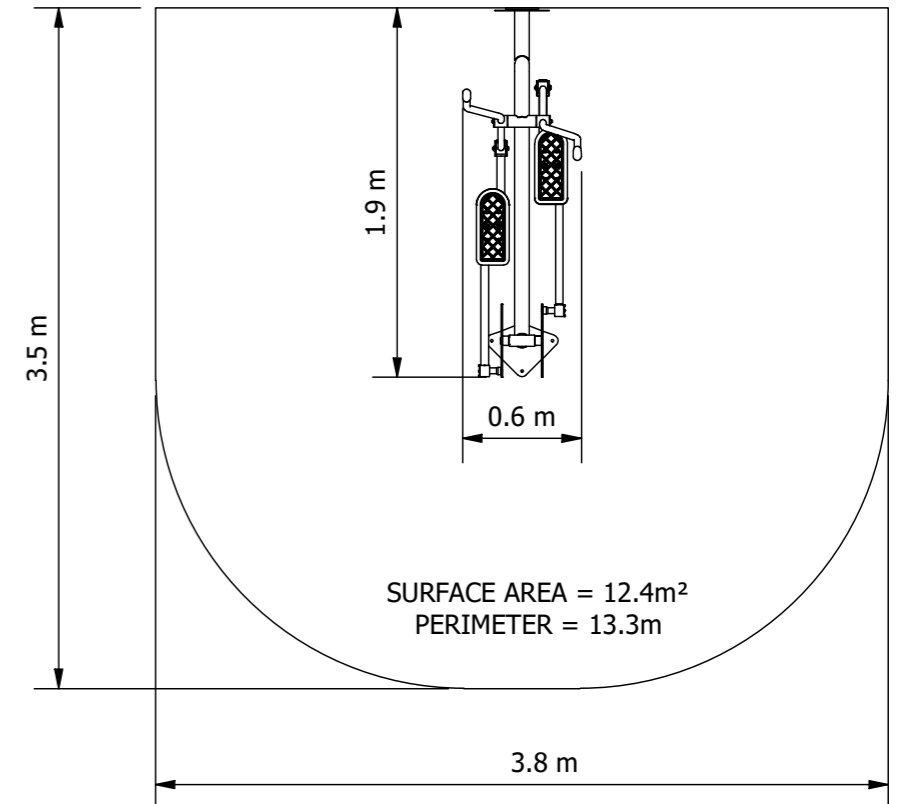
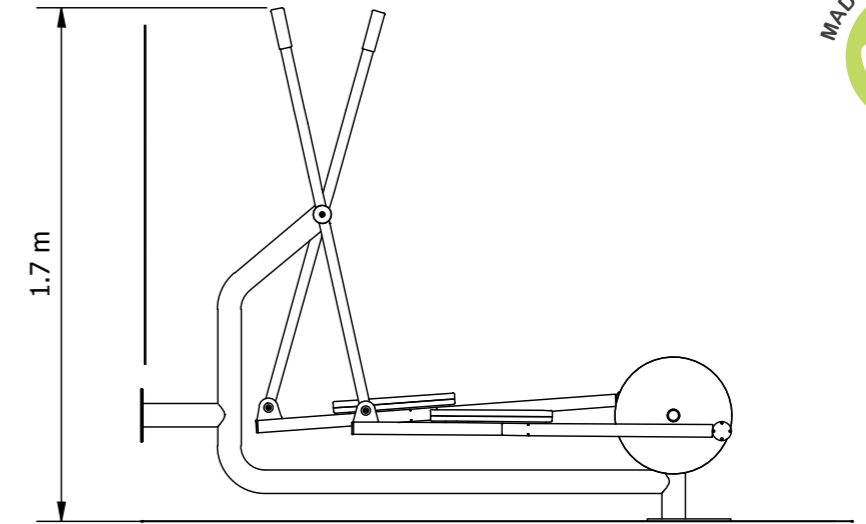


# Elliptical Trainer Fit For Parks

The Fit for Parks product range has been developed in conjunction with exercise physiologists to deliver a comprehensive community fitness solution. Fit for Parks Product Ranges It covers the three key elements of fitness training including cardio, strength and mobility. All equipment includes detailed yet easy to follow instructional signage incorporating QR codes that link to demonstration videos that can be accessed by users on site.



Double sided column shown in image sold separately.

**Product Code:** FFP6027



**Required Space**  
3.5m x 3.8m



**Area**  
12.4m<sup>2</sup>



**Age Group**  
12+



**Max FHoF**  
400mm



**Equipment Height**  
2000mm