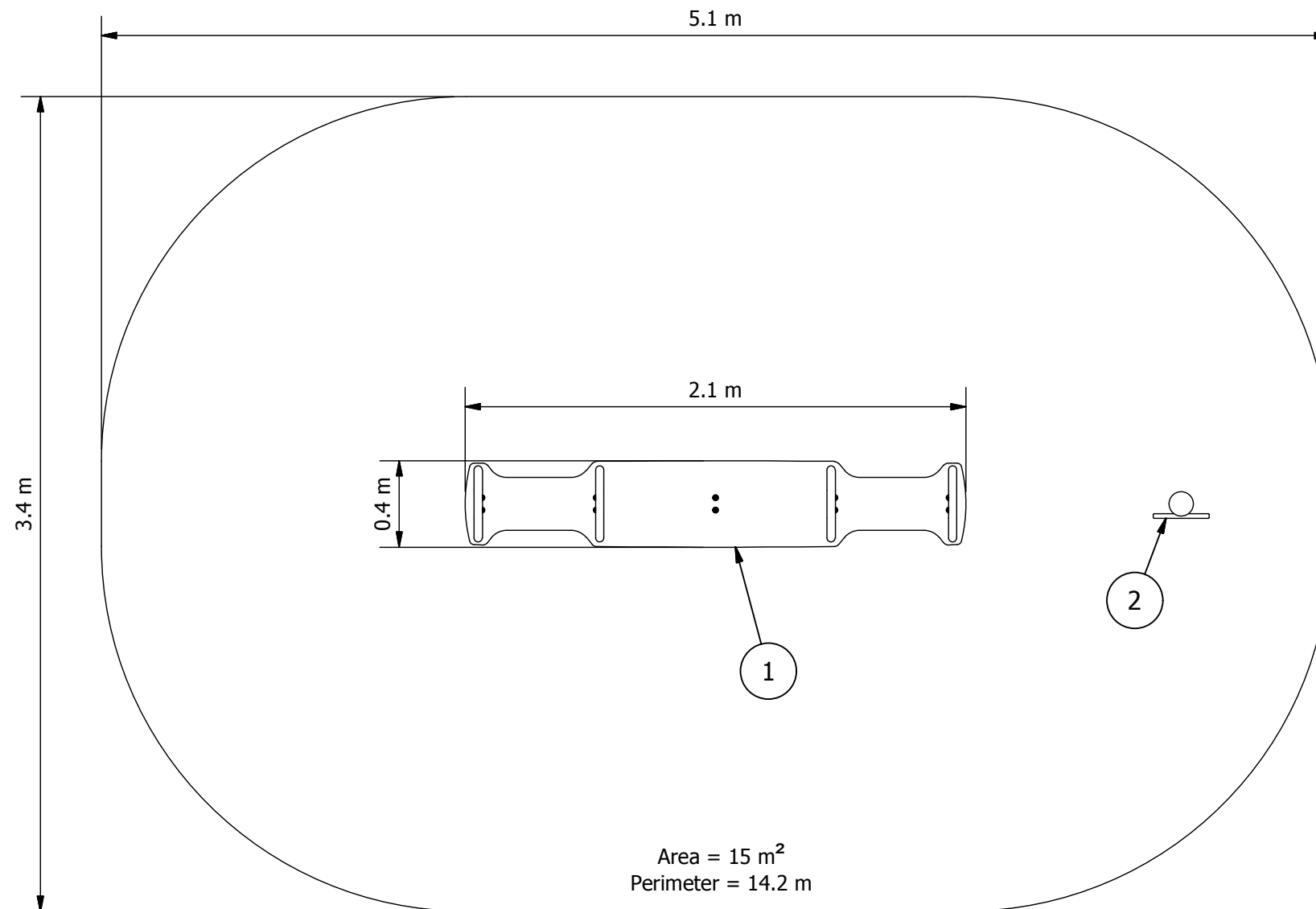


EQUIPMENT INVENTORY			
ITEM	DESCRIPTION	QTY	FHF (mm)
1	FitX Multi Bench	1	350
2	Instruction Sign - FitX Multi Bench	1	N/A



Site Layout is indicative only & subject to change.  
This design is confidential & subject to Copyright.



**Design plan**

Design No: **FITX030-0**

Drawn by: **J.H.**

Date drawn: **14/06/2016**