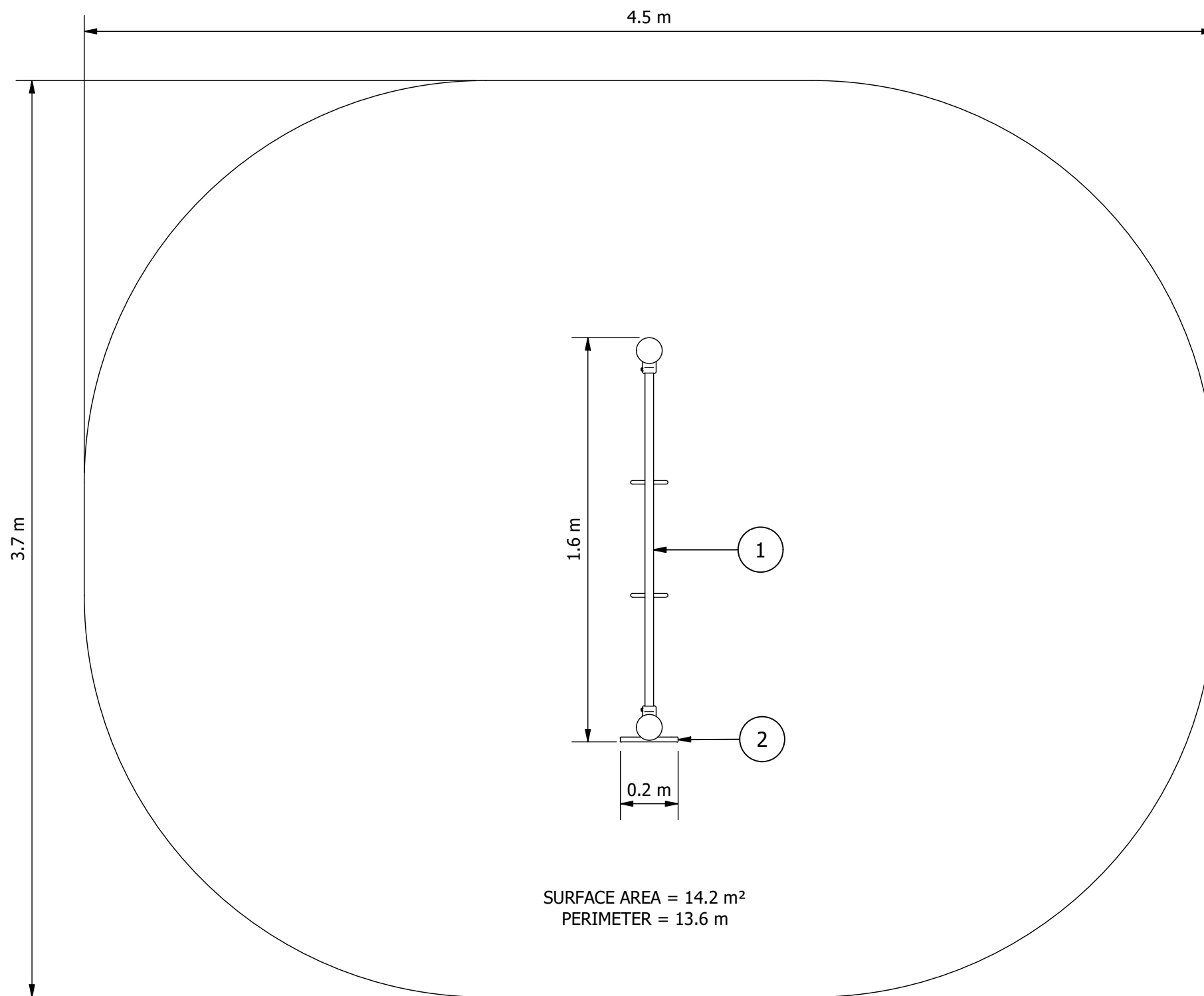
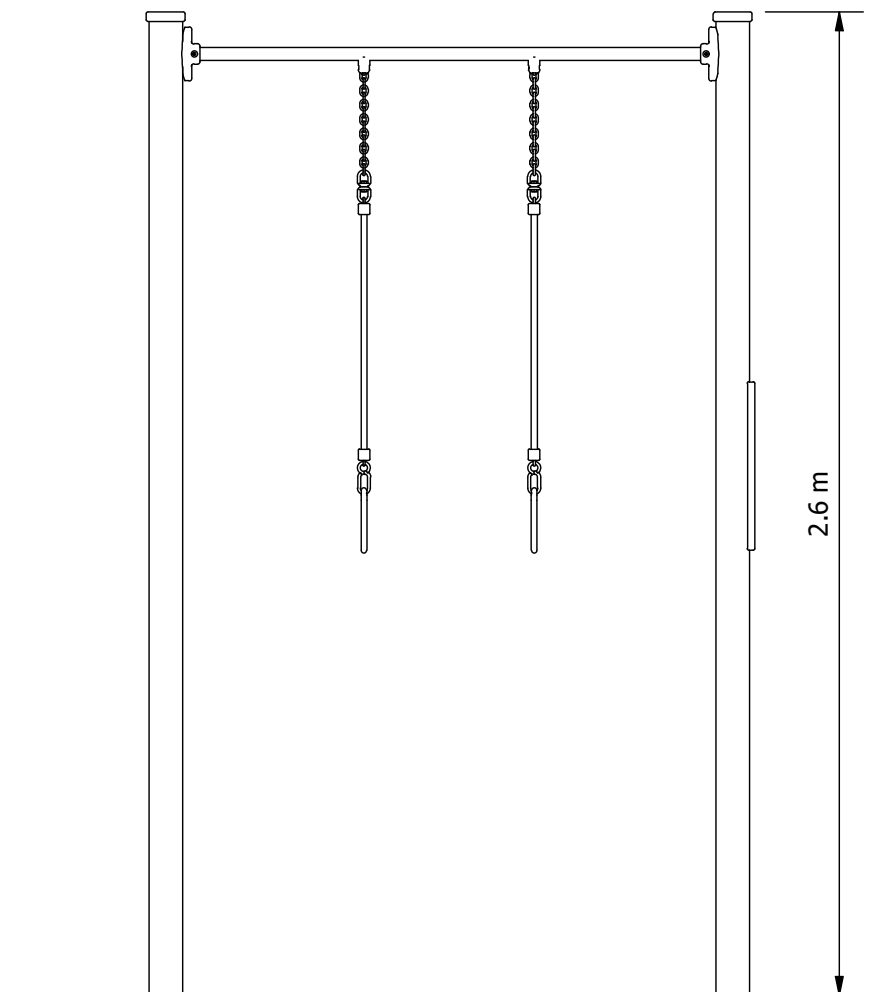


Fitness Extra Roman Rings 1.5 m (1250 High)



EQUIPMENT INVENTORY			
ITEM	DESCRIPTION	QTY	FHF (mm)
1	FITX Roman Rings	1	180
2	FITX Roman Rings - Sign	1	N/A



ELEVATION

RECOMMENDED MINIMUM SHADE CLEARANCES

- 2.5M FROM ANY ACCESSIBLE PART OF THE EQUIPMENT TO ANY CLIMBABLE PART OF THE SHADE STRUCTURE
- 1.5M FOR ALL OTHER SITUATIONS

Site Layout is indicative only & subject to change.
This design is confidential & subject to Copyright.

FITNESS DESIGN COMPLIANT
WITH AS 16630:2021.



Design Plan

Design No:

FITX024-A

Drawn by: **S.P.**

Date drawn: **8/07/2021**