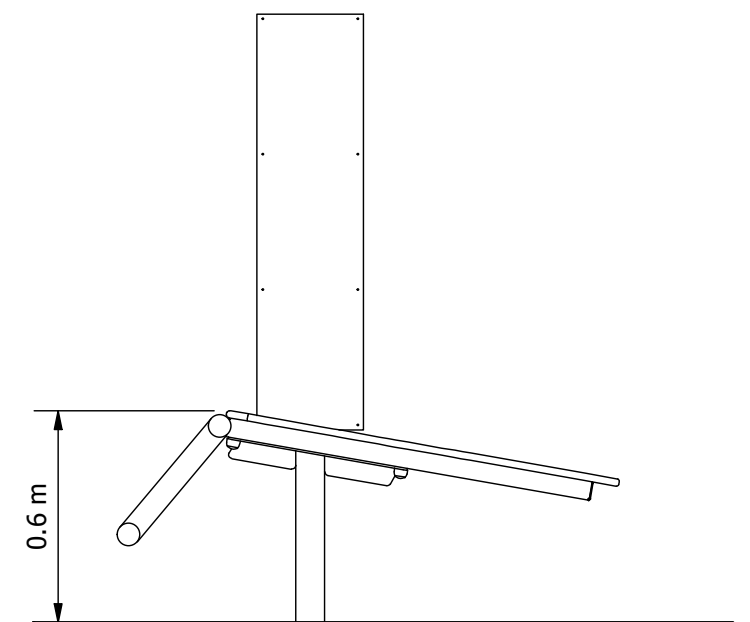
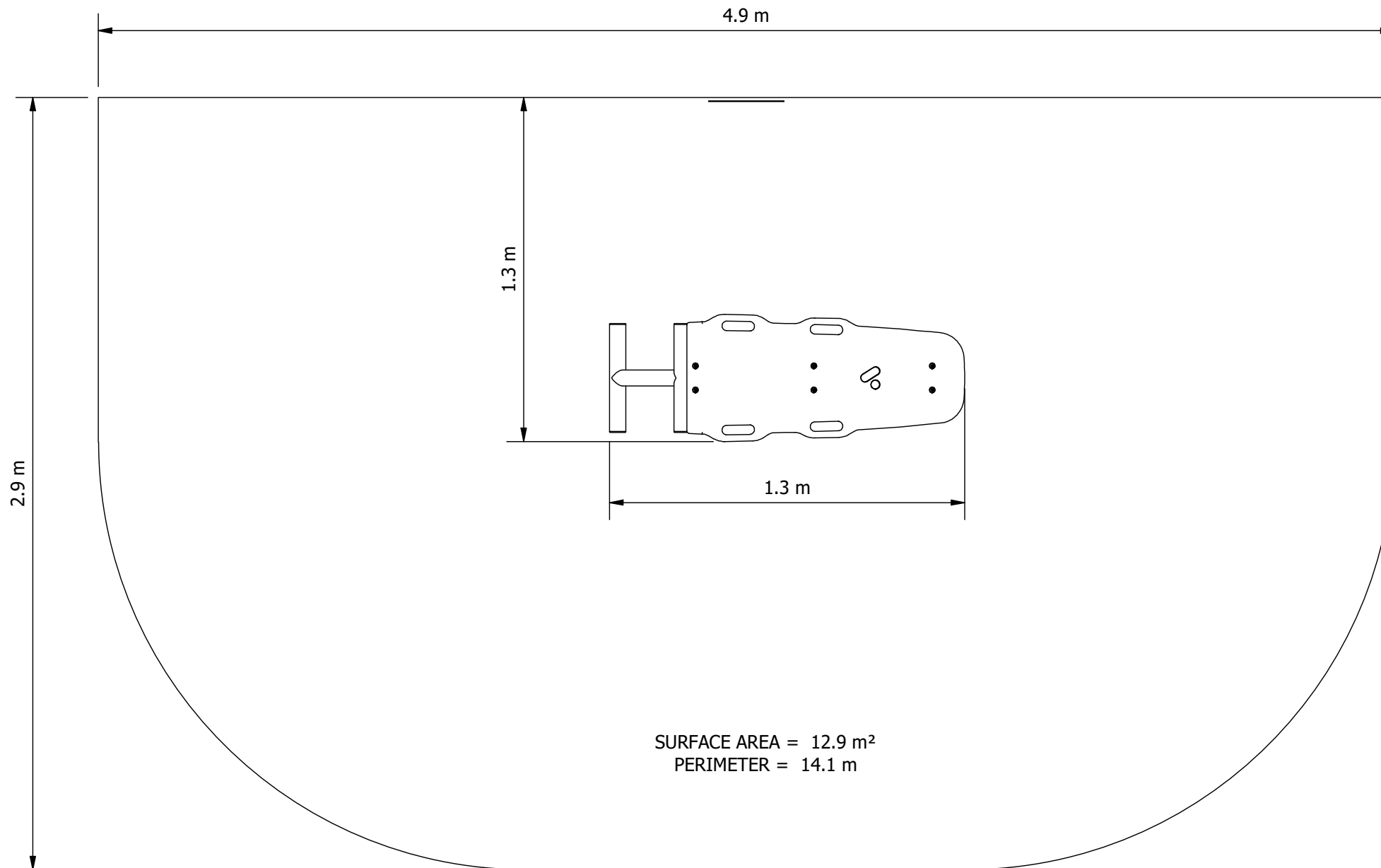


# Fit-for-Parks Sit Up Station - 10 Degree Incline

EQUIPMENT INVENTORY	
DESCRIPTION	FHF (mm)
FFP Sit Up Bench 10 Deg - I/G	590



### ELEVATION

- RECOMMENDED MINIMUM SHADE CLEARANCES
- 2.5M FROM ANY ACCESSIBLE PART OF THE EQUIPMENT TO ANY CLIMBABLE PART OF THE SHADE STRUCTURE
  - 1.5M FOR ALL OTHER SITUATIONS

Site Layout is indicative only & subject to change.  
This design is confidential & subject to Copyright.

FITNESS DESIGN COMPLIANT  
WITH AS 16630:2021.

### Design Plan

Design No:

**FFP6034-A**

Drawn by: **S.P.**

Date drawn: **17/06/2021**

Scale Bar 1:20@A3 (metres)

