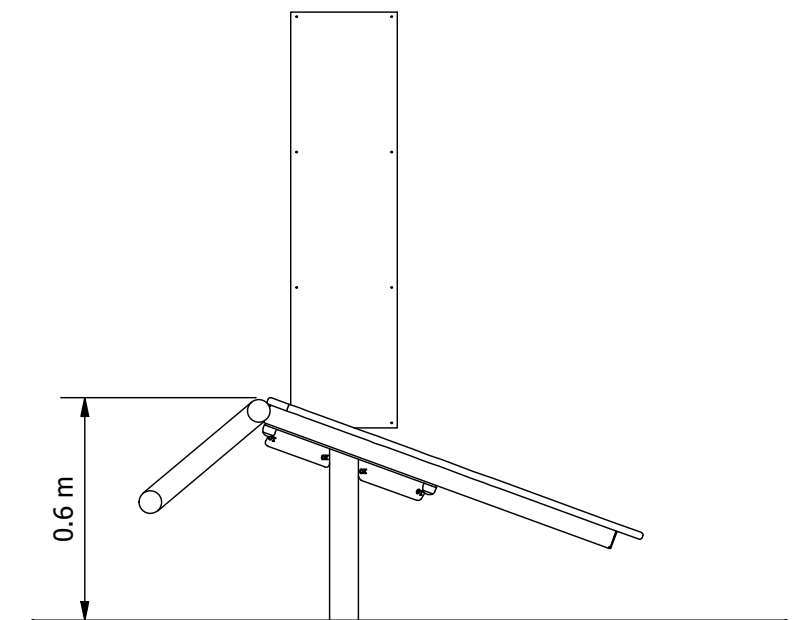
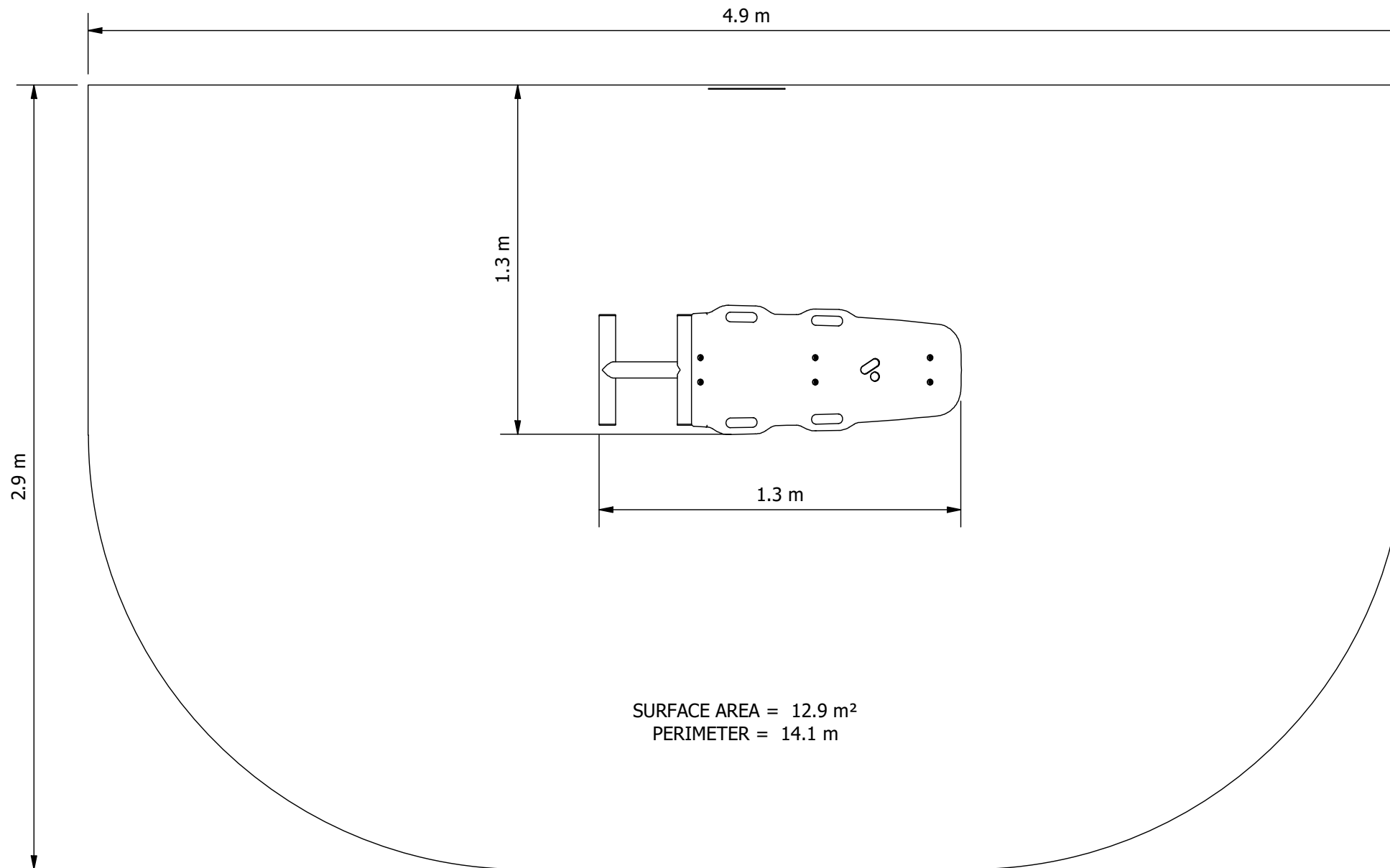


**Fit-for-Parks
Sit Up Bench - 20 Degree Incline**

EQUIPMENT INVENTORY	
DESCRIPTION	FHF (mm)
FFP Sit Up Bench 20 Deg - I/G	590



ELEVATION

- RECOMMENDED MINIMUM SHADE CLEARANCES
- 2.5M FROM ANY ACCESSIBLE PART OF THE EQUIPMENT TO ANY CLIMBABLE PART OF THE SHADE STRUCTURE
 - 1.5M FOR ALL OTHER SITUATIONS

Site Layout is indicative only & subject to change.
This design is confidential & subject to Copyright.

FITNESS DESIGN COMPLIANT
WITH AS 16630:2021.



Design Plan

Design No: **FFP6033-A** | Drawn by: **S.P.**
Date drawn: **17/06/2021**