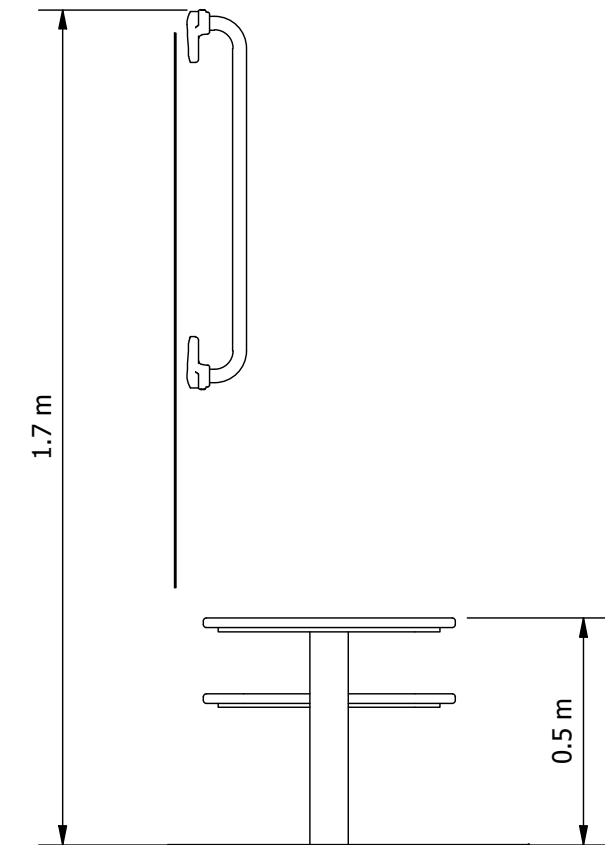
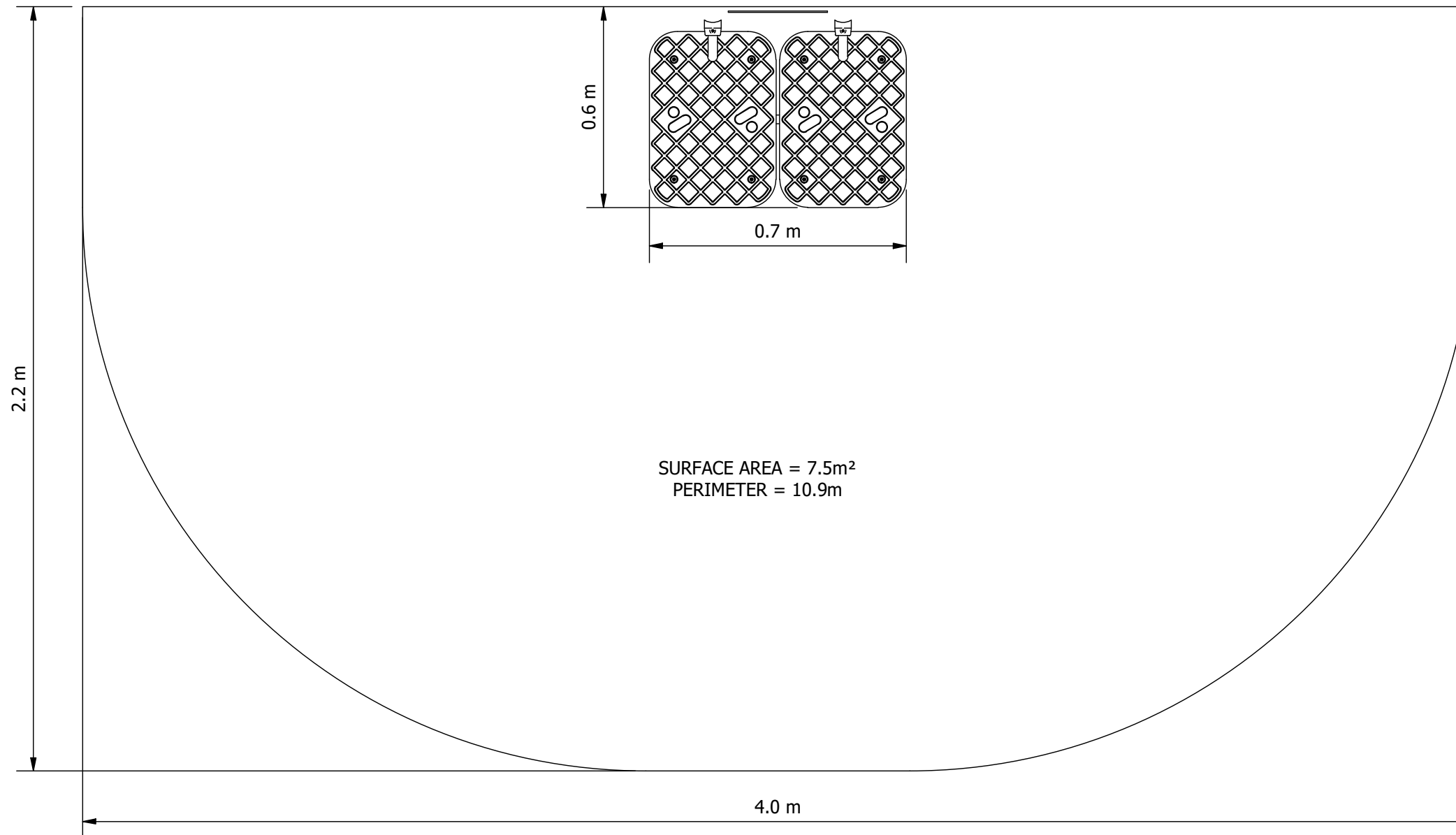


EQUIPMENT INVENTORY	
DESCRIPTION	FHF (mm)
FFP Step Up Station 300 & 450 - I/G	450



ELEVATION

- RECOMMENDED MINIMUM SHADE CLEARANCES
- 2.5M FROM ANY ACCESSIBLE PART OF THE EQUIPMENT TO ANY CLIMBABLE PART OF THE SHADE STRUCTURE
 - 1.5M FOR ALL OTHER SITUATIONS

Site Layout is indicative only & subject to change.
This design is confidential & subject to Copyright.

FITNESS DESIGN COMPLIANT
WITH AS 16630:2021.



Design Plan

Design No:

FFP6031-A

Drawn by: **S.J.**

Date drawn: **16/06/2021**