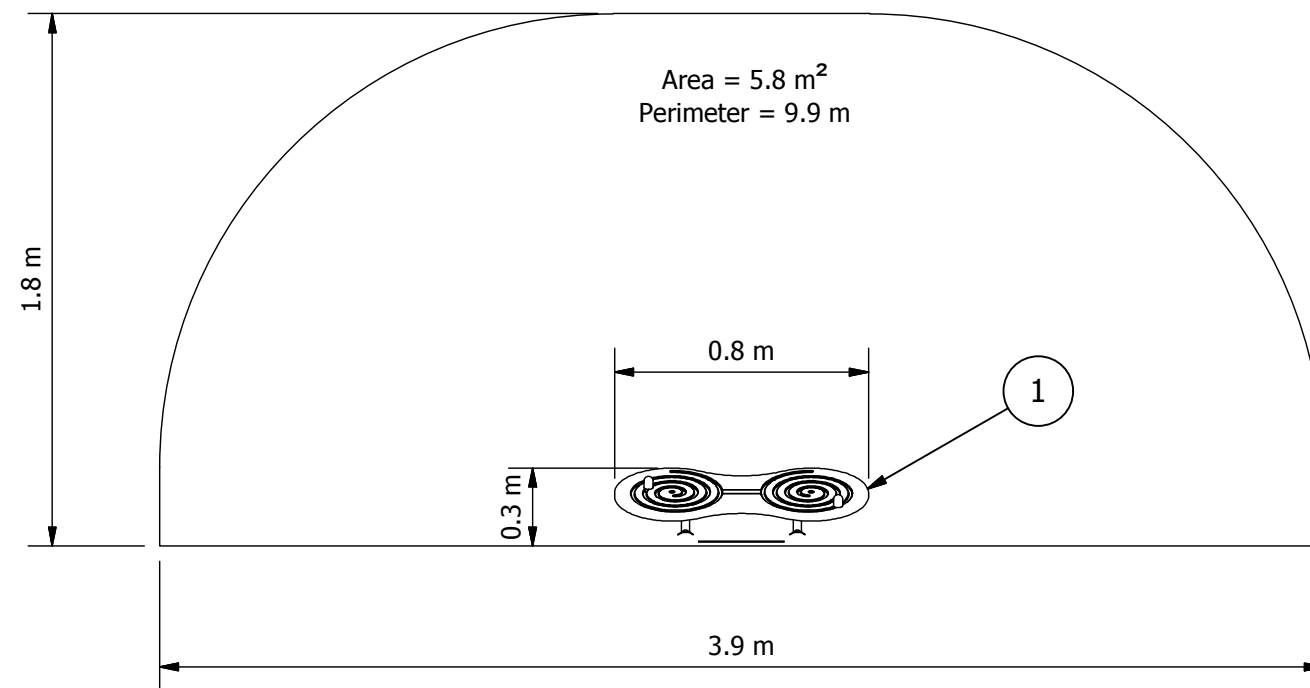


EQUIPMENT INVENTORY			
ITEM	DESCRIPTION	QTY	FHF (mm)
1	DEXTERITY BUILDER	1	N/A



Site Layout is indicative only & subject to change.
This design is confidential & subject to Copyright.

Scale Bar (metres) 0 5

Design plan

Design No: **FFP6028-0**

Drawn by: **J.H.**

Date drawn: **22/01/2016**