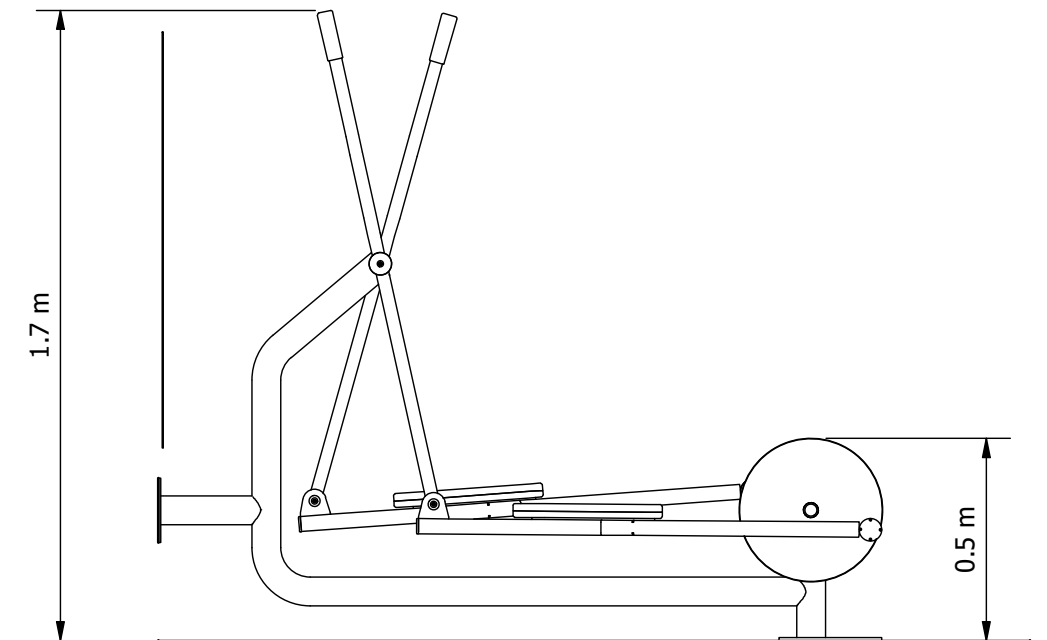
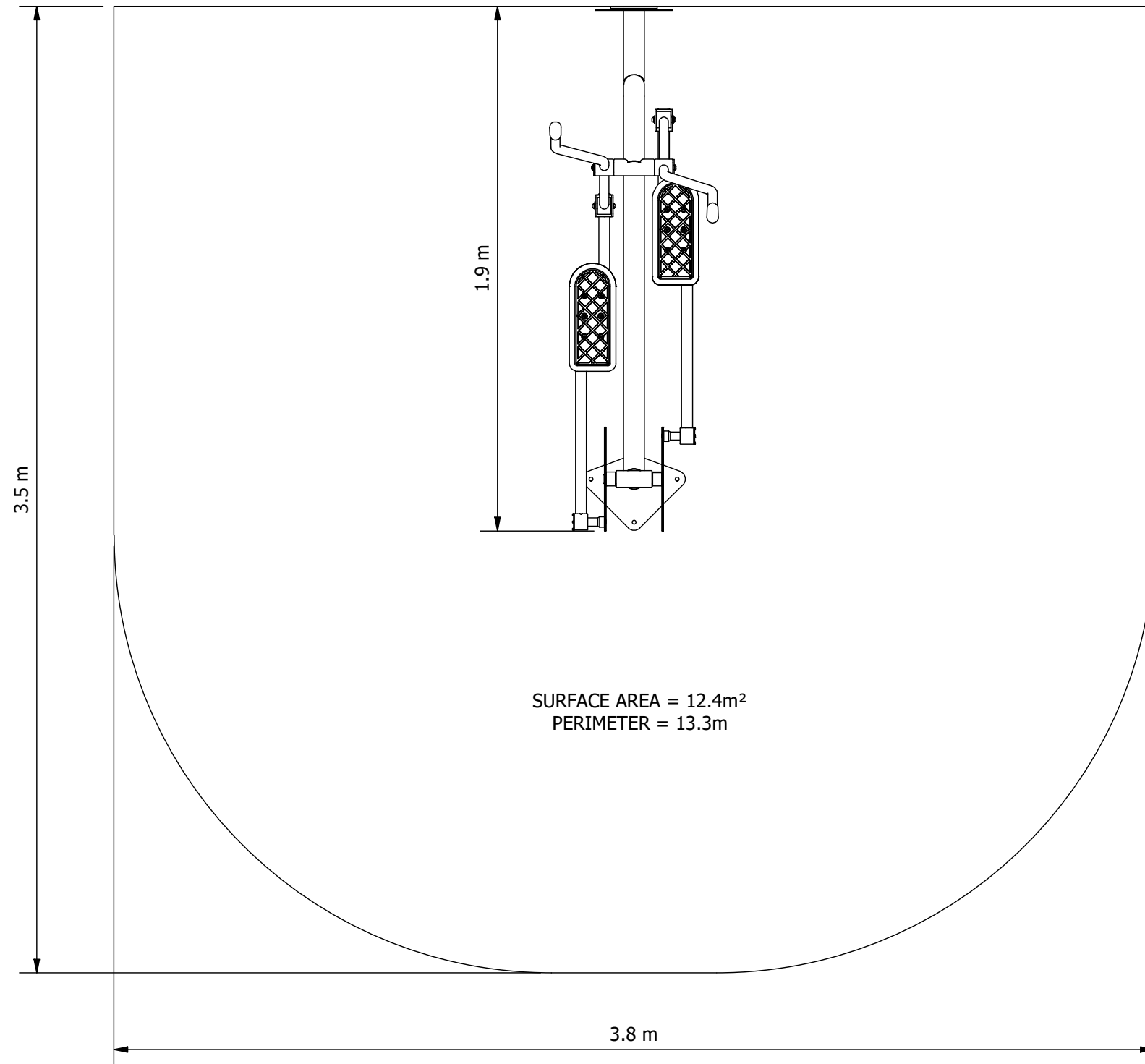


EQUIPMENT INVENTORY	
DESCRIPTION	FHF (mm)
ELLIPTICAL TRAINER INGROUND	400



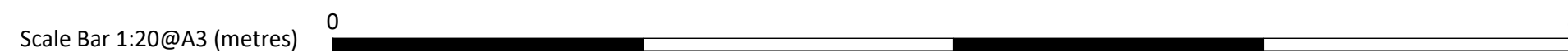
**ELEVATION**

RECOMMENDED MINIMUM SHADE CLEARANCES

- 2.5M FROM ANY ACCESSIBLE PART OF THE EQUIPMENT TO ANY CLIMBABLE PART OF THE SHADE STRUCTURE
- 1.5M FOR ALL OTHER SITUATIONS

Site Layout is indicative only & subject to change.  
This design is confidential & subject to Copyright.

FITNESS DESIGN COMPLIANT  
WITH AS 16630:2021.



**Design Plan**

Design No: **FFP6027-B**

Drawn by: **J.M.**

Date drawn: **8/12/2022**