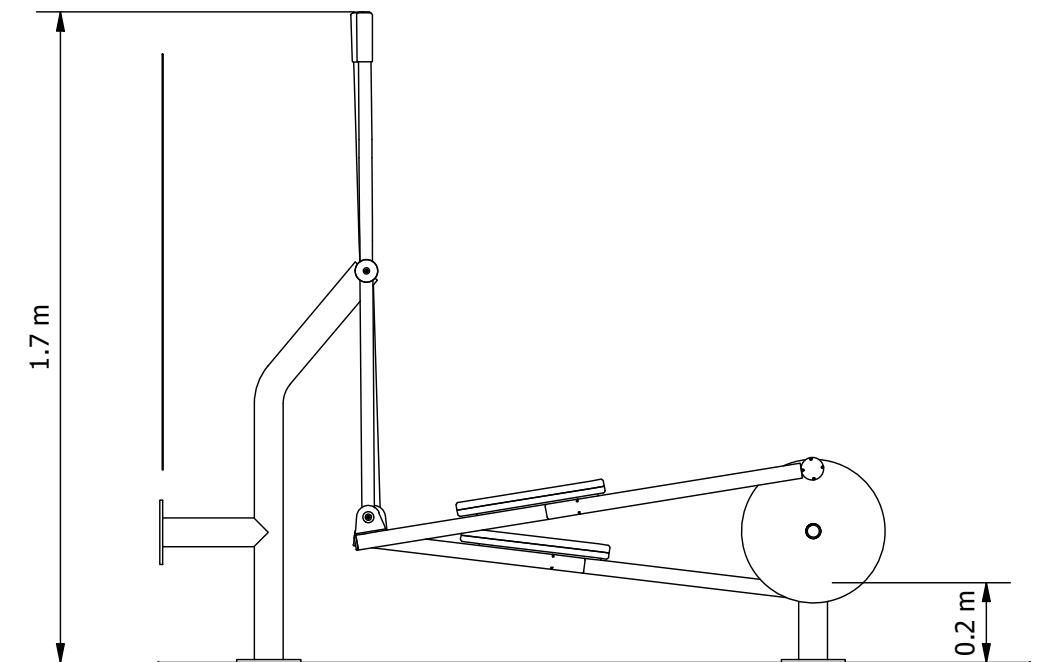
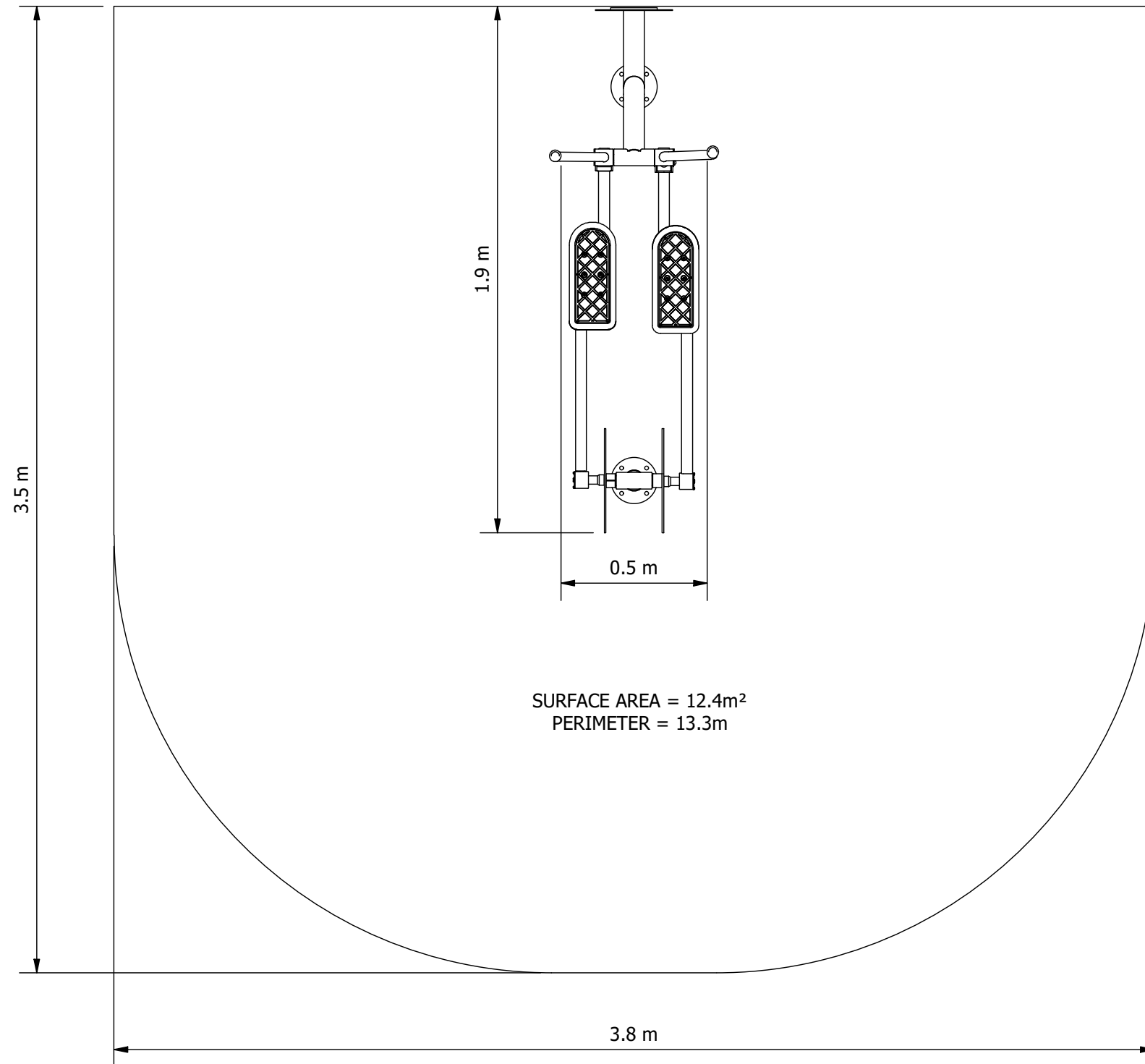


EQUIPMENT INVENTORY	
DESCRIPTION	FHF (mm)
FFP Elliptical Trainer - I/G	400



ELEVATION

RECOMMENDED MINIMUM SHADE CLEARANCES

- 2.5M FROM ANY ACCESSIBLE PART OF THE EQUIPMENT TO ANY CLIMBABLE PART OF THE SHADE STRUCTURE
- 1.5M FOR ALL OTHER SITUATIONS

Site Layout is indicative only & subject to change.
This design is confidential & subject to Copyright.

FITNESS DESIGN COMPLIANT
WITH AS 16630:2021.



Design Plan

Design No:

FFP6027-A

Drawn by: **S.J.**

Date drawn: **5/01/2022**