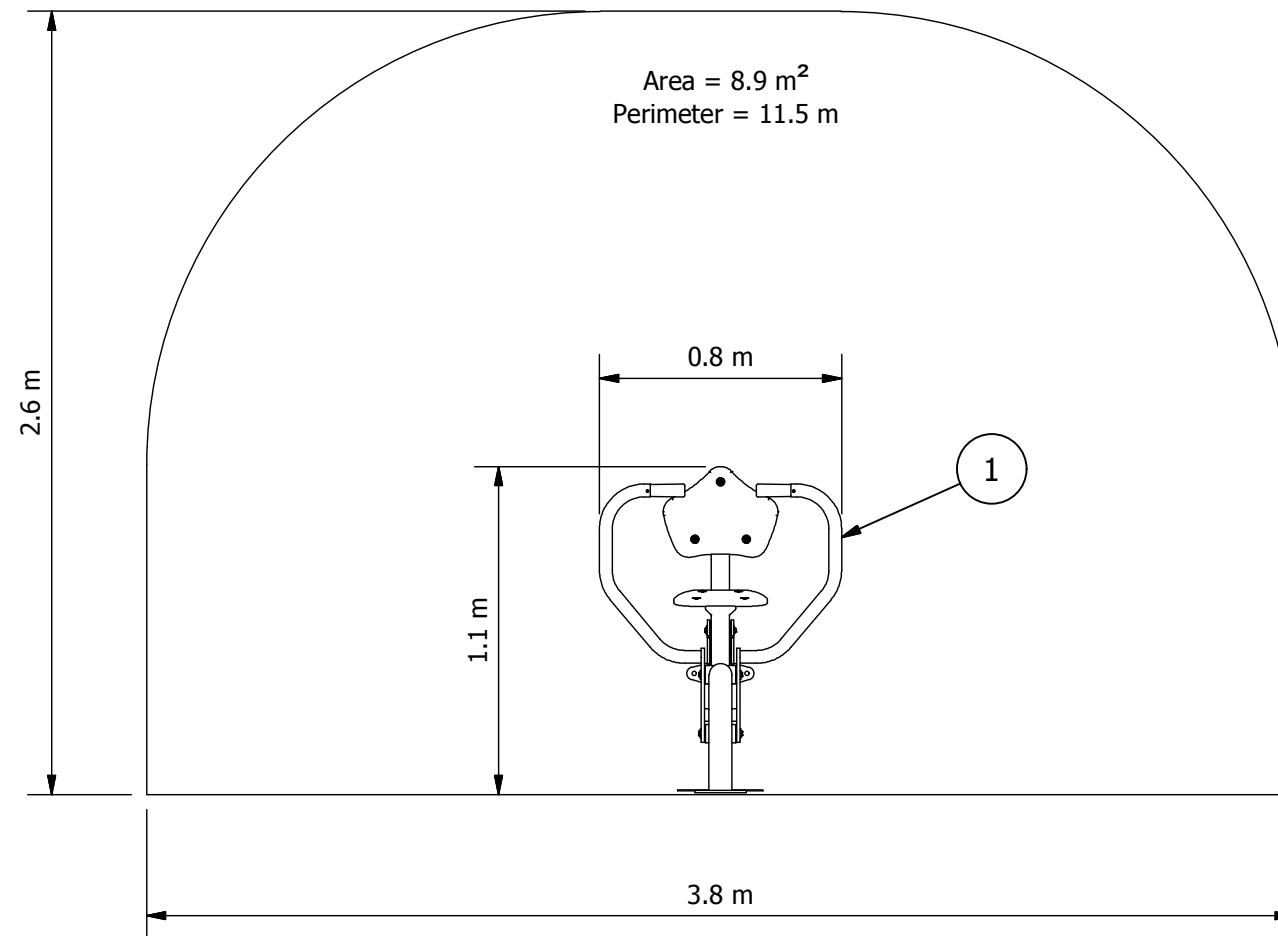


EQUIPMENT INVENTORY			
ITEM	DESCRIPTION	QTY	FHF (mm)
1	PULL DOWN ASSEMBLY	1	590



Site Layout is indicative only & subject to change.  
This design is confidential & subject to Copyright.



Design plan

Design No:

**FFP6024-0**

Drawn by: **J.H.**

Date drawn: **27/01/2016**