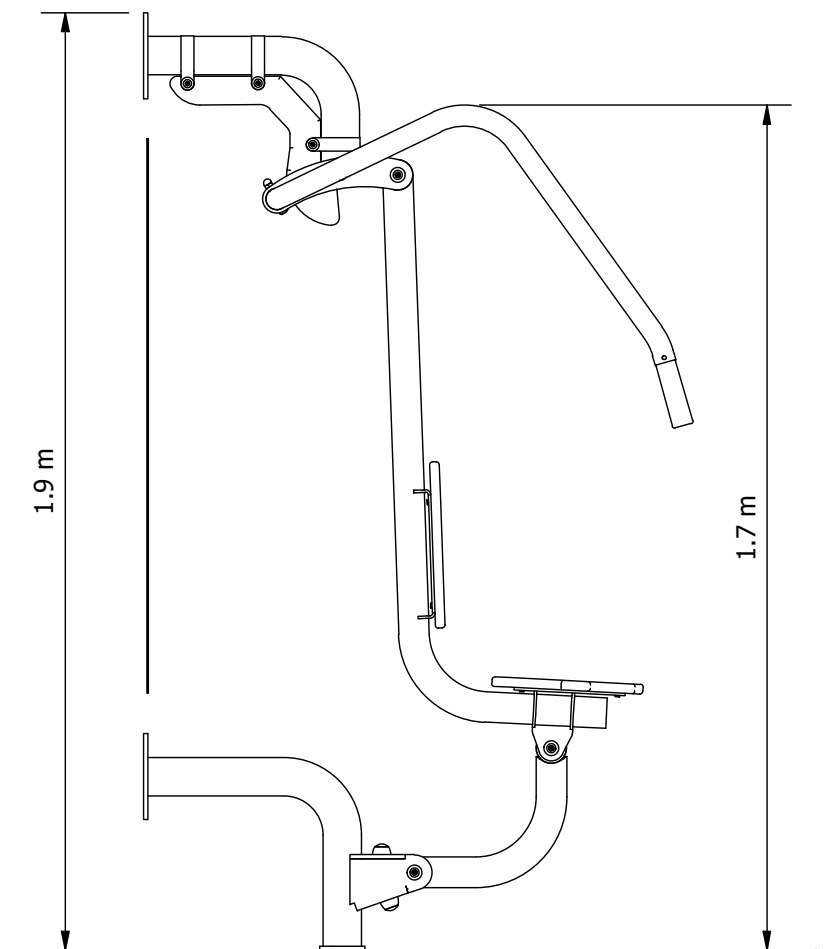
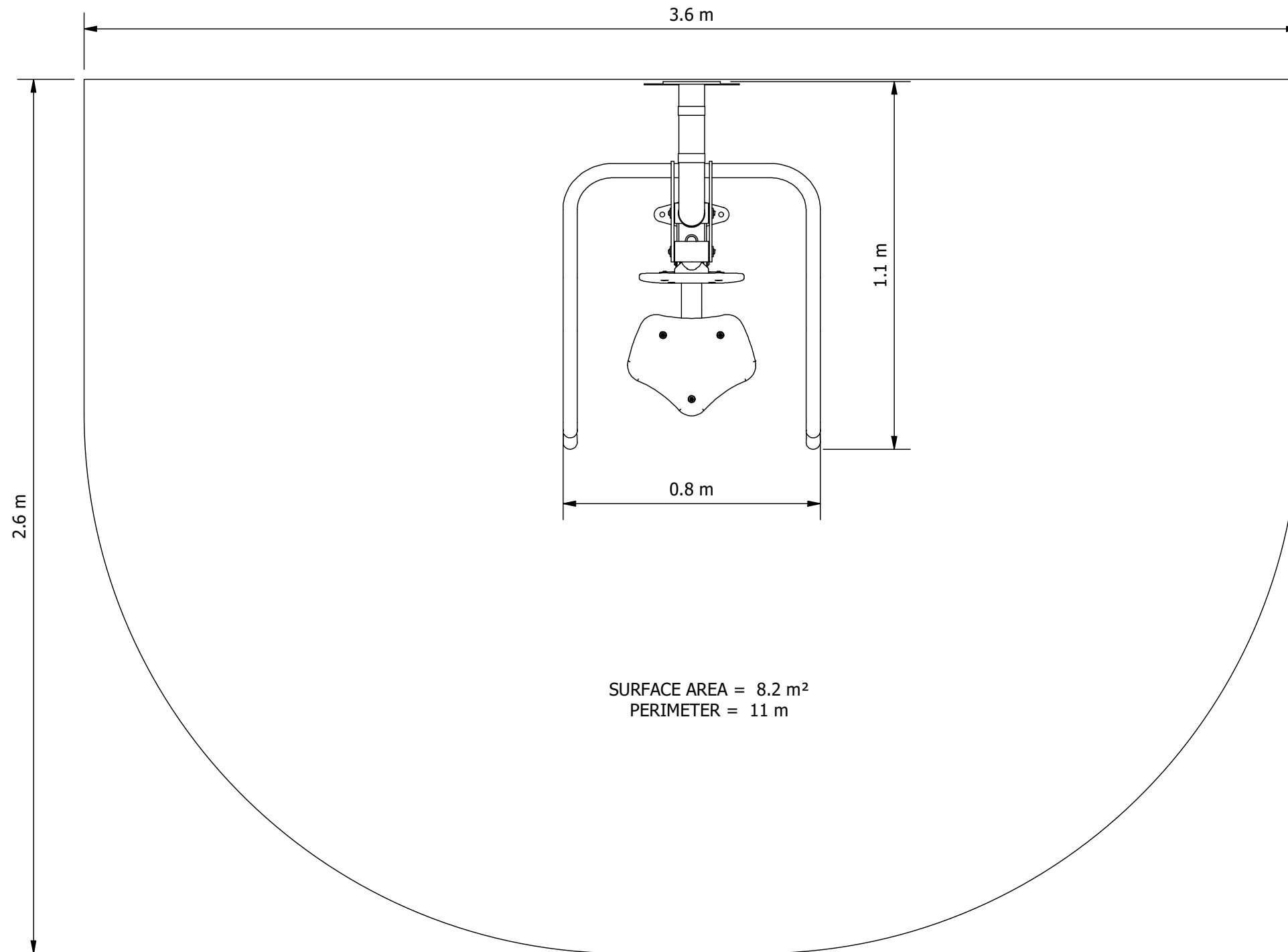


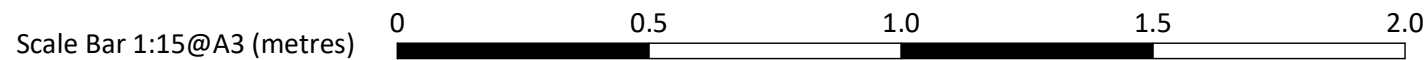
EQUIPMENT INVENTORY	
DESCRIPTION	FHF (mm)
FFP Chest Press - I/G	580



**ELEVATION**

- RECOMMENDED MINIMUM SHADE CLEARANCES
- 2.5M FROM ANY ACCESSIBLE PART OF THE EQUIPMENT TO ANY CLIMBABLE PART OF THE SHADE STRUCTURE
  - 1.5M FOR ALL OTHER SITUATIONS

Site Layout is indicative only & subject to change.  
This design is confidential & subject to Copyright.



FITNESS DESIGN COMPLIANT  
WITH AS 16630:2021.

**Design Plan**

Design No: **FFP6022-B** | Drawn by: **E.C.**  
Date drawn: **16/06/2021**