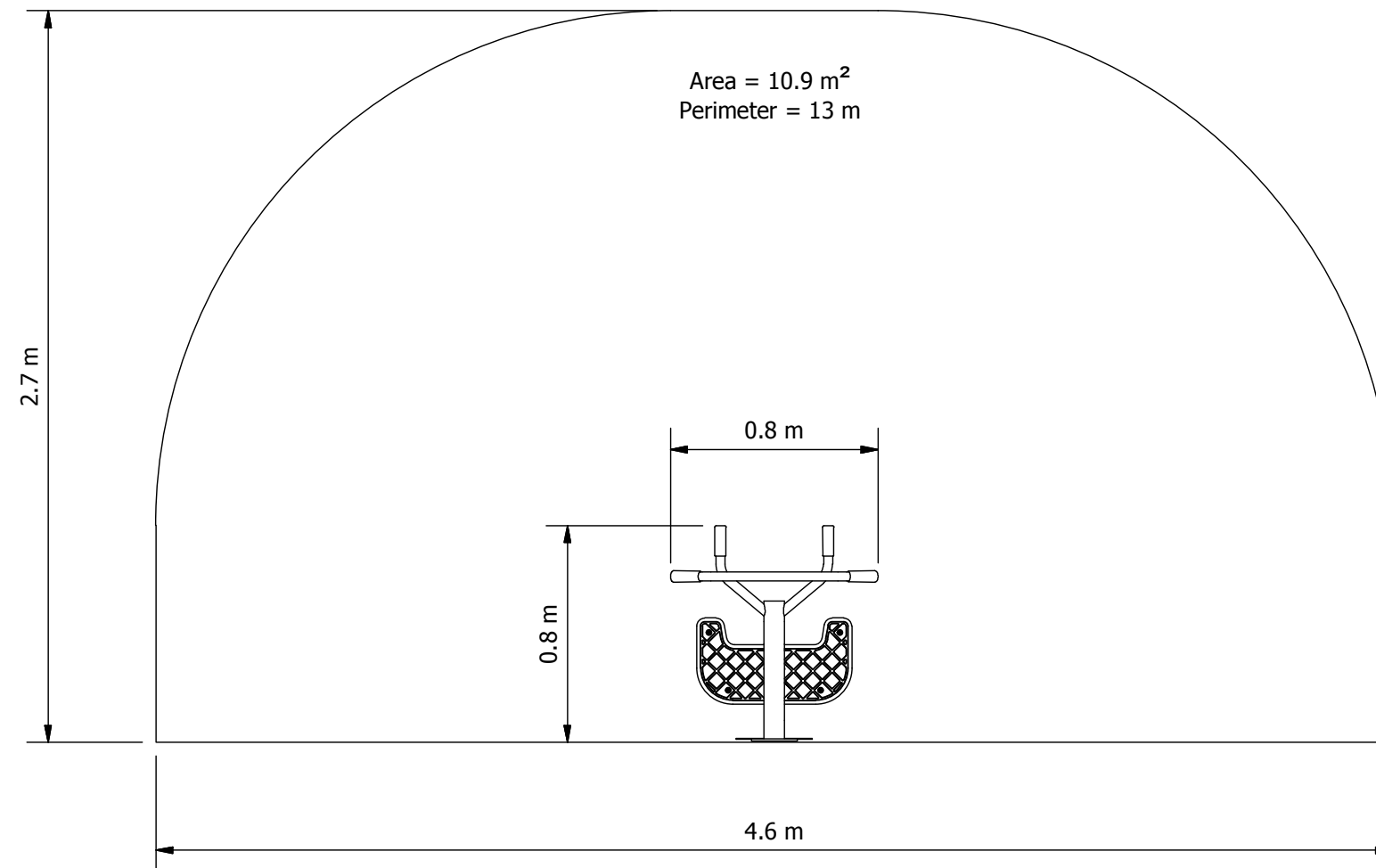


EQUIPMENT INVENTORY			
ITEM	DESCRIPTION	QTY	FHF (mm)
1	PULL UPS & LEG RAISES ASSEMBLY	1	1965



Site Layout is indicative only & subject to change.
This design is confidential & subject to Copyright.



Design plan

Design No: **FFP6019-A** | Drawn by: **J.H.**
Date drawn: **19/08/2016**