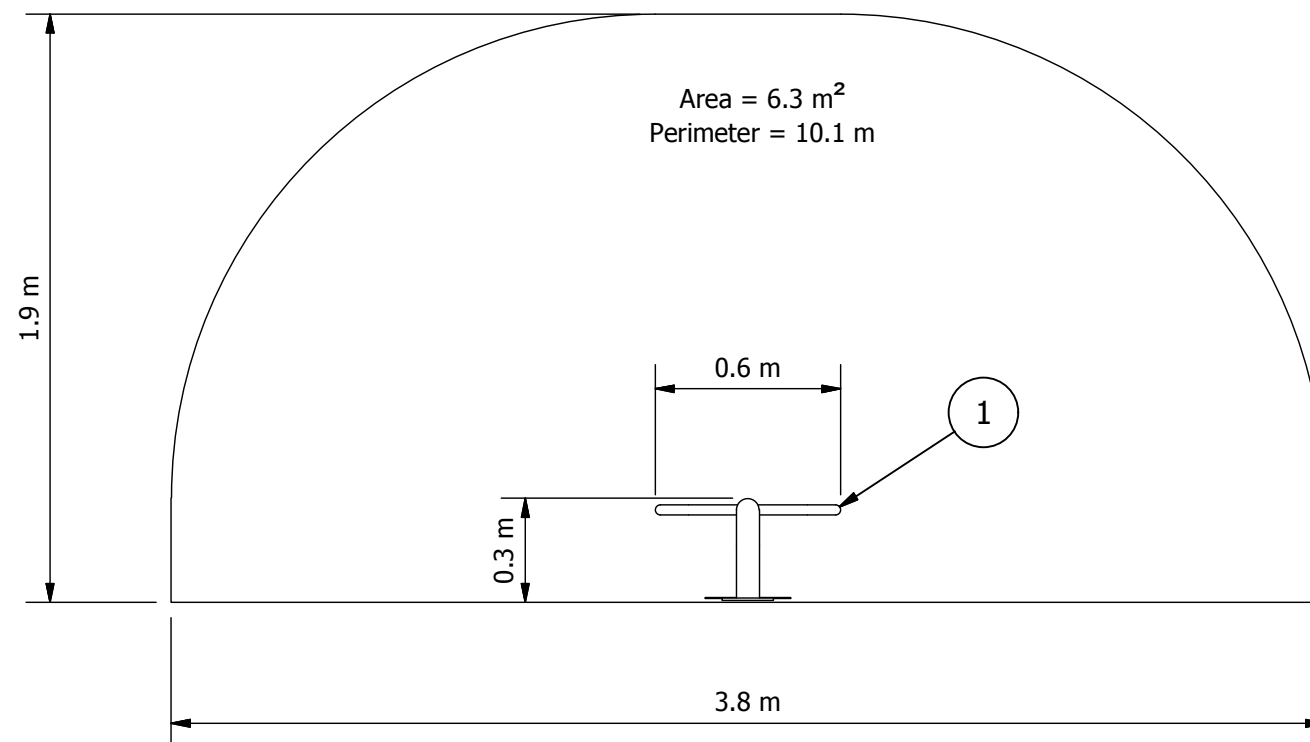


EQUIPMENT INVENTORY			
ITEM	DESCRIPTION	QTY	FHF (mm)
1	STRETCH STATION ASSEMBLY	1	1080



Site Layout is indicative only & subject to change.
This design is confidential & subject to Copyright.



Design plan

Design No: **FFP6002-0**

Drawn by: **J.H.**

Date drawn: **22/01/2016**