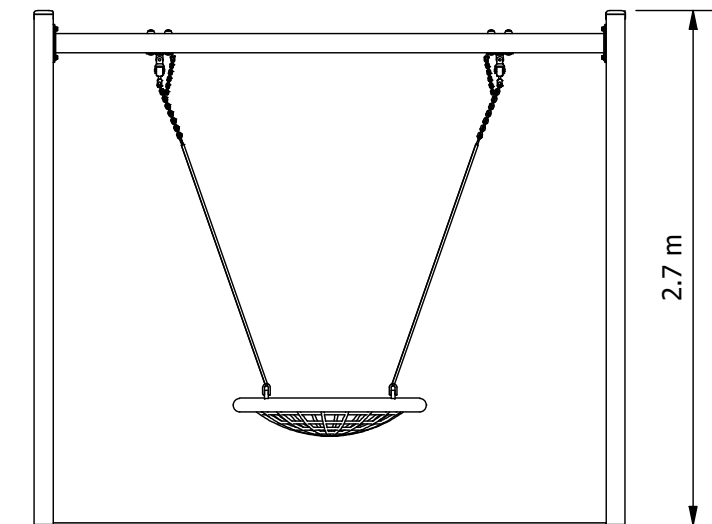
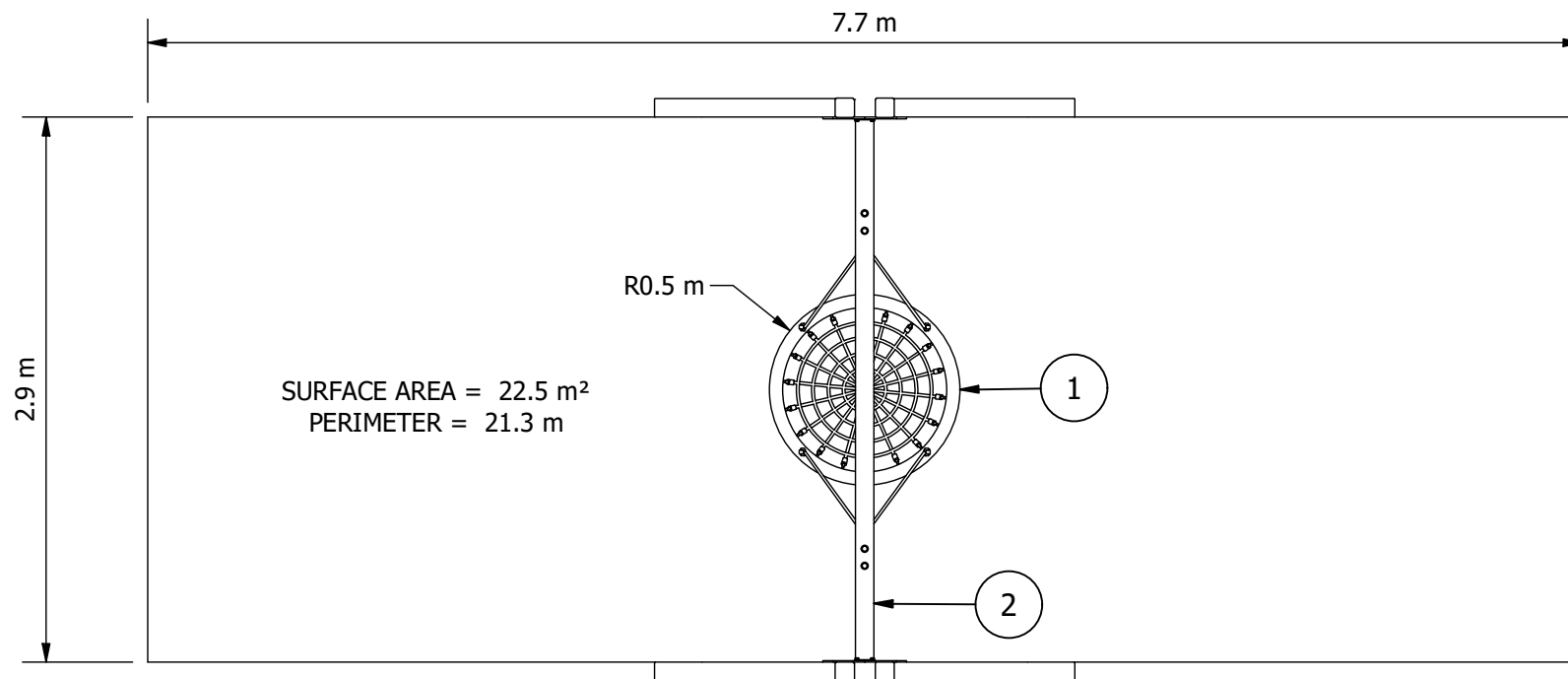


A-Frame Swing - 1 Bay, Adult Height with Birds Nest Seat



EQUIPMENT INVENTORY			
ITEM	DESCRIPTION	QTY	FHF (mm)
1	Birds Nest Swing Seat	1	1540
2	A-Frame Swing Adult (1 Bay Birds Nest)	1	N/A



ELEVATION:

RECOMMENDED MINIMUM SHADE CLEARANCES

- 2.5M FROM ANY ACCESSIBLE PART OF THE EQUIPMENT TO ANY CLIMBABLE PART OF THE SHADE STRUCTURE
- 1.5M FOR ALL OTHER SITUATIONS

Site Layout is indicative only & subject to change.
This design is confidential & subject to Copyright.

SCALE BAR 1:40@A3
0 1 5 m

PLAYGROUND DESIGN COMPLIANT
WITH AS 4685:2021

Design Plan (Concept)

Design No:

SWGA005-D

Drawn by: **C.M**

Date drawn: **18/03/2024**