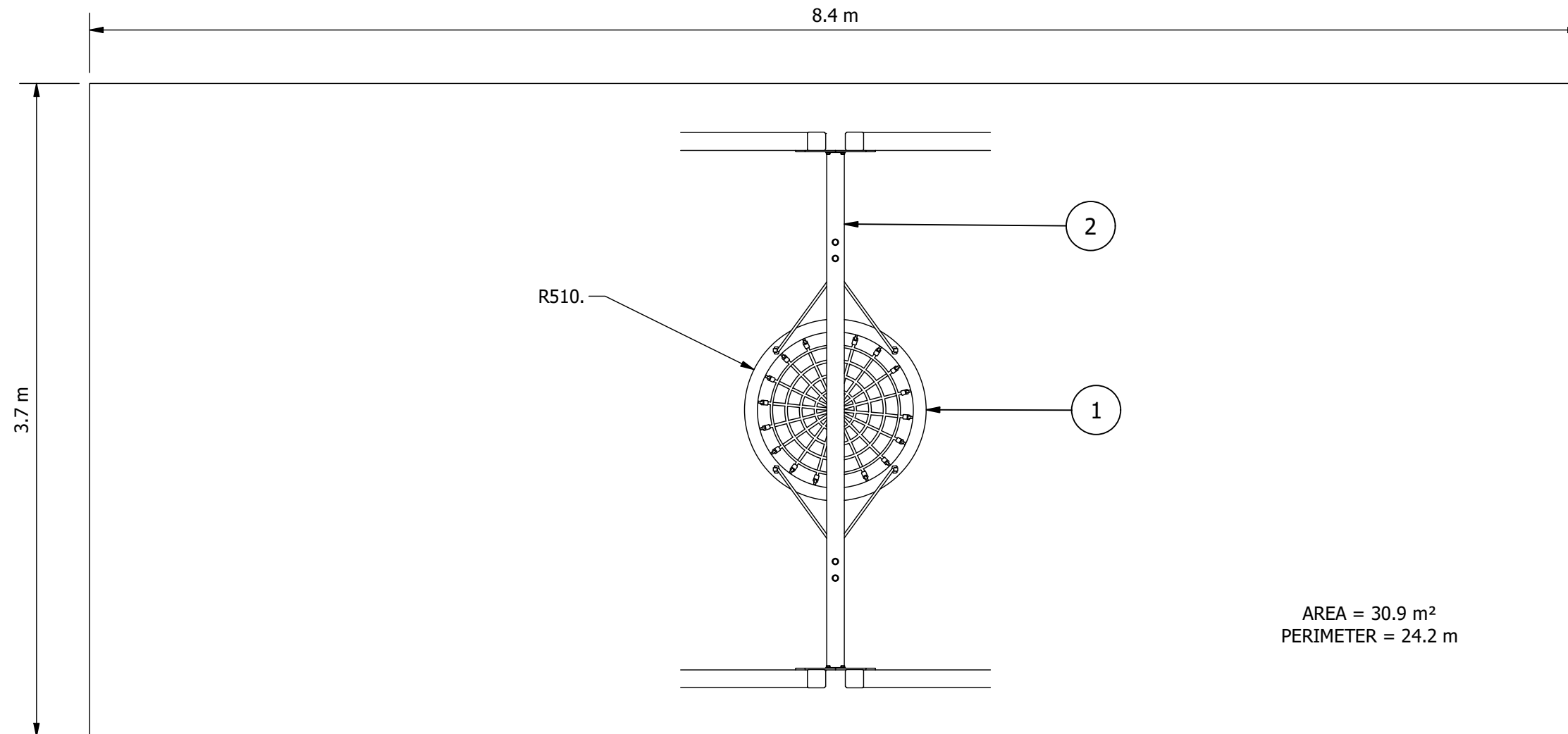


A-Frame Swing - 1 Bay, Double Adult Height with Birds Nest Seat (Loosefill)

EQUIPMENT INVENTORY			
ITEM	DESCRIPTION	QTY	FHF (mm)
1	Birds Nest Swing Seat	1	N/A
2	A-Frame Swing Adult (1 Bay Birds Nest - Loosefill IAS)	1	1460



Site Layout is indicative only & subject to change.
This design is confidential & subject to Copyright.

DESIGN COMPLIANT
WITH AS 4685:2014

Scale Bar 1:30@A3 (metres) 0 5

Design Plan

Design No:

SWG005-A LOOSEFILL

Drawn by: **S.P.**

Date drawn: **15/07/2020**