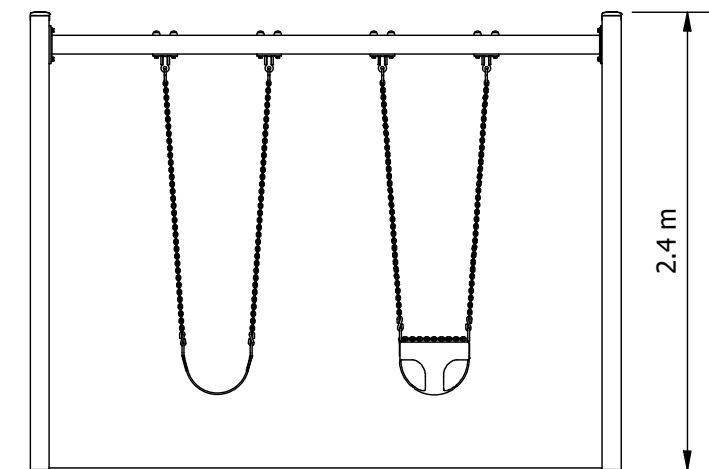
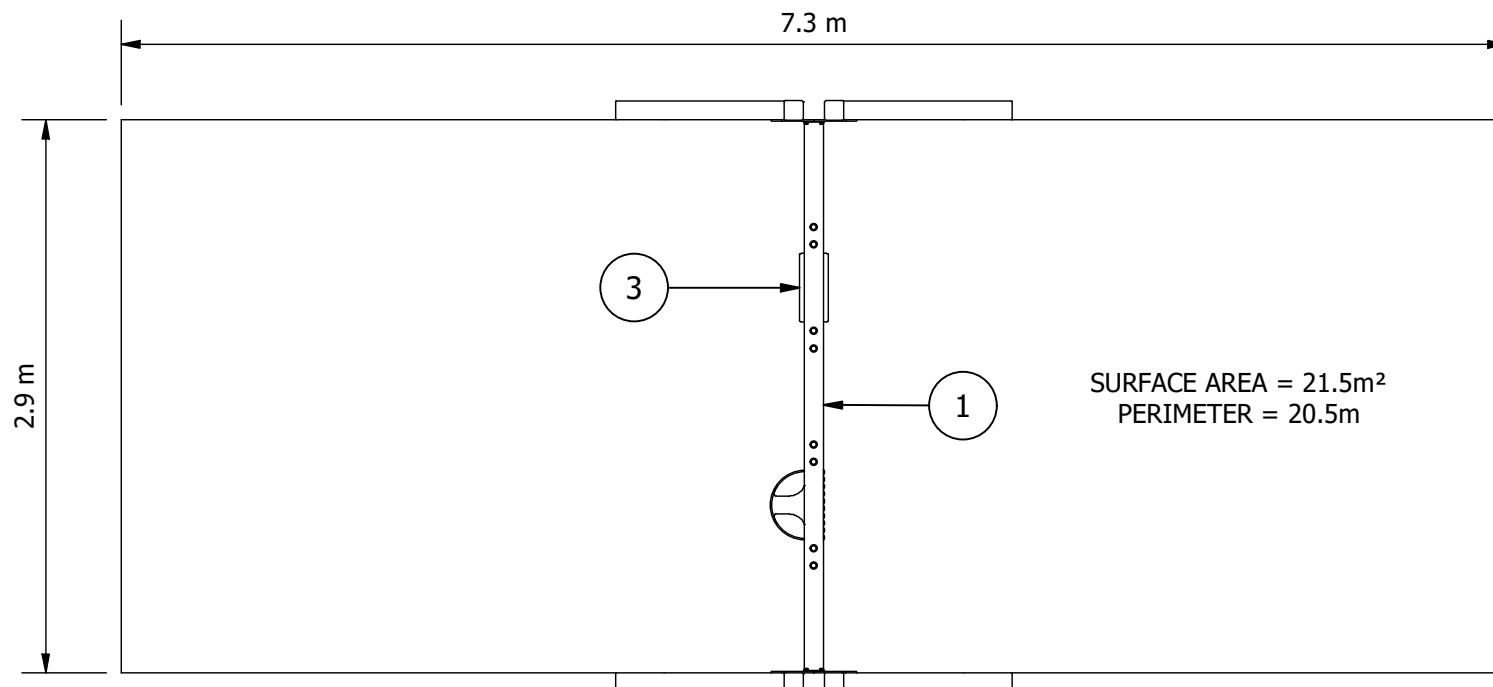


A-Frame Swing - 1 Bay, Double Junior Height with Infant seat x 1, Strap seat x 1



EQUIPMENT INVENTORY			
ITEM	DESCRIPTION	QTY	FHF (mm)
1	A-Frame Swing Junior (1 Bay Double)	1	N/A
2	Infant Swing Seat (MG)	1	N/A
3	Strap Swing Seat (MG)	1	N/A



ELEVATION:

- RECOMMENDED MINIMUM SHADE CLEARANCES:
- 2.5M FROM ANY ACCESSIBLE PART OF THE EQUIPMENT TO ANY CLIMBABLE PART OF THE SHADE STRUCTURE
 - 1.5M FOR ALL OTHER SITUATIONS

Site Layout is indicative only & subject to change.
This design is confidential & subject to Copyright.



PLAYGROUND DESIGN COMPLIANT
WITH AS 4685:2021

Design Plan (Concept)

Design No: **SWGA003-C**

Drawn by: **C.M**

Date drawn: **18/03/2024**