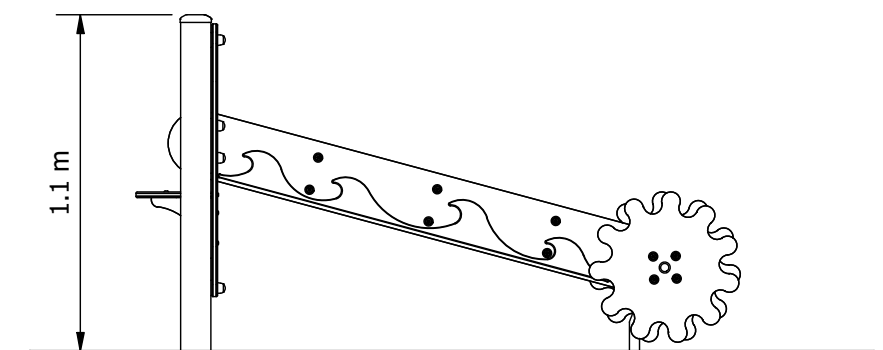
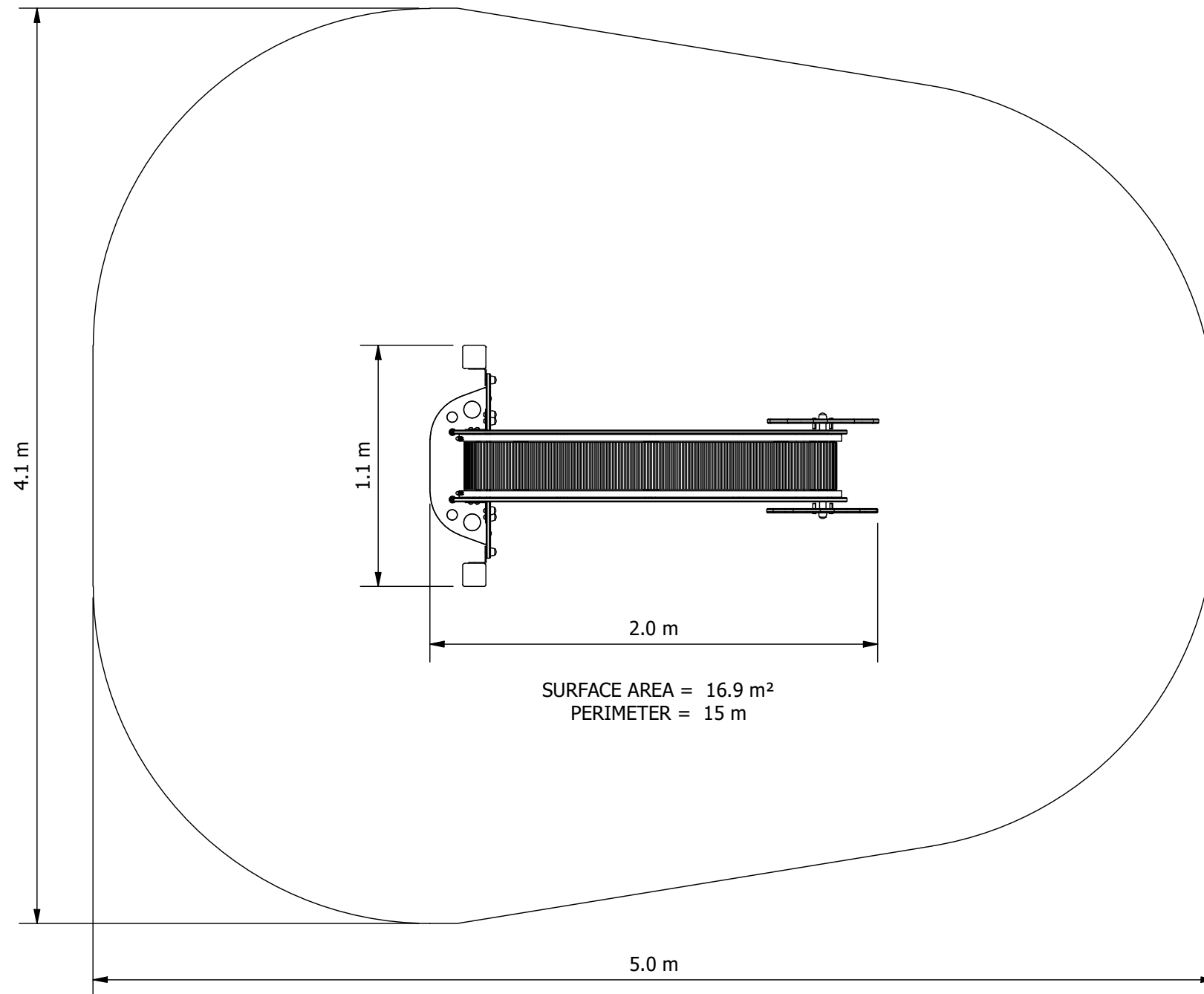


EQUIPMENT INVENTORY		
DESCRIPTION	QTY	FHF (mm)
Sand Conveyor	1	500



ELEVATION:

- RECOMMENDED MINIMUM SHADE CLEARANCES
- 2.5M FROM ANY ACCESSIBLE PART OF THE EQUIPMENT TO ANY CLIMBABLE PART OF THE SHADE STRUCTURE
 - 1.5M FOR ALL OTHER SITUATIONS

Site Layout is indicative only & subject to change.
This design is confidential & subject to Copyright.

PLAYGROUND DESIGN COMPLIANT
WITH AS 4685:2021



Design Plan

Design No:

SPE001-B

Drawn by: **S.J.**

Date drawn: **2/06/2022**