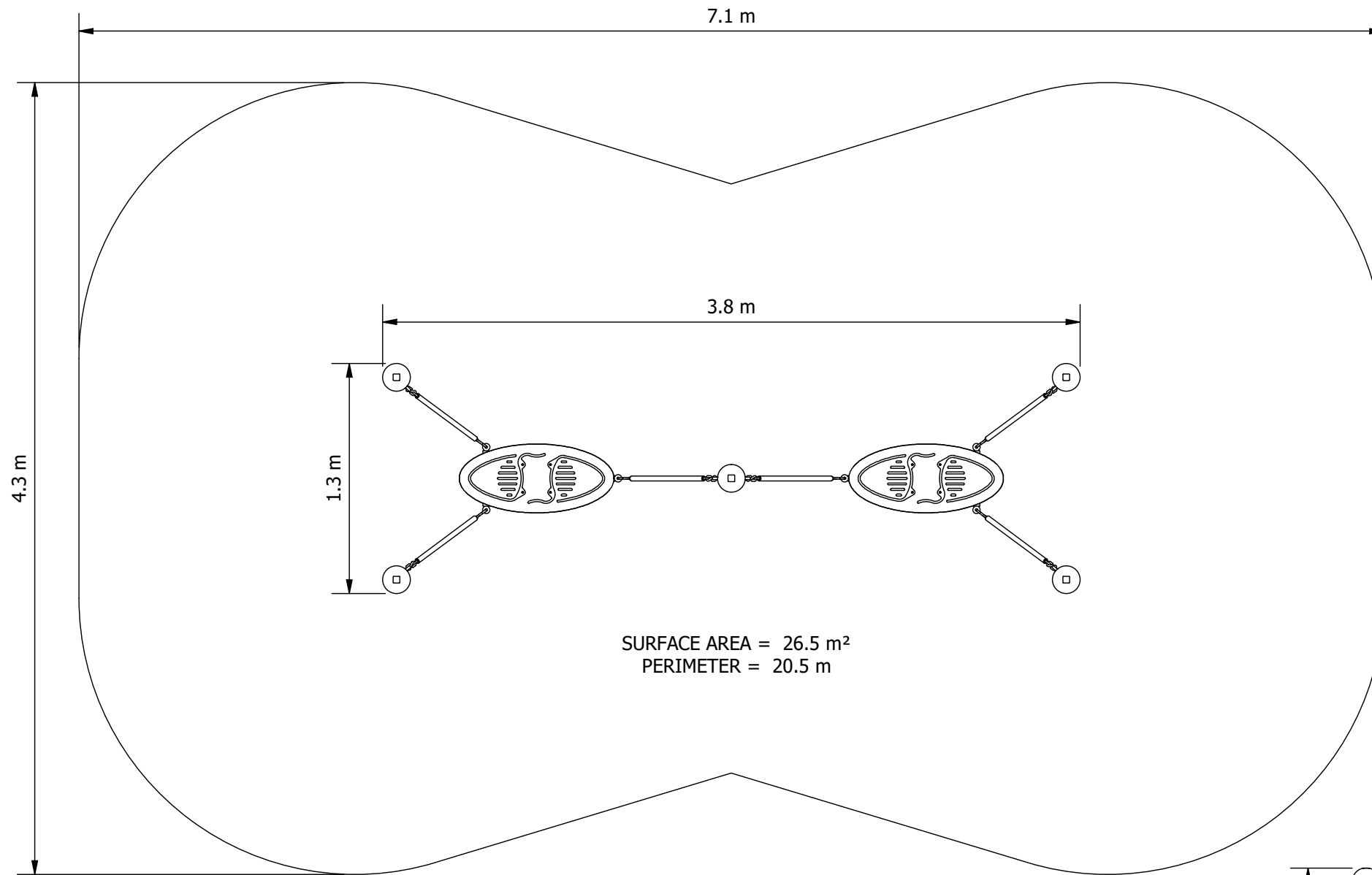
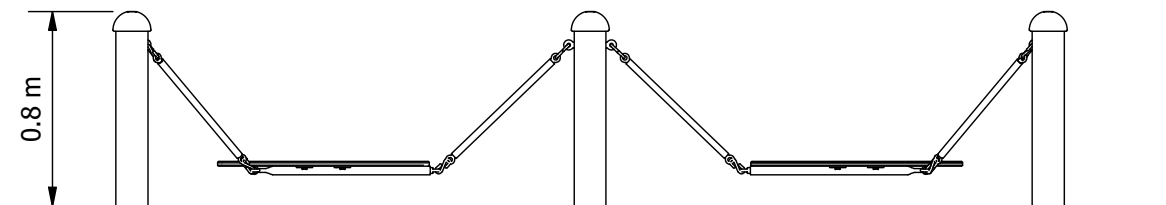


Twin Wave Rider



EQUIPMENT INVENTORY		
DESCRIPTION	QTY	FHF (mm)
Twin Wave Rider	1	200



ELEVATION:

RECOMMENDED MINIMUM SHADE CLEARANCES

- 2.5M FROM ANY ACCESSIBLE PART OF THE EQUIPMENT TO ANY CLIMBABLE PART OF THE SHADE STRUCTURE
- 1.5M FOR ALL OTHER SITUATIONS

Site Layout is indicative only & subject to change.
This design is confidential & subject to Copyright.

PLAYGROUND DESIGN COMPLIANT
WITH AS 4685:2021

SCALE BAR 1:30@A3
0 0.5 2.5 m

Design Plan

Design No:

RDR0016FBA-A

Drawn by: **S.J.**

Date drawn: **1/06/2022**