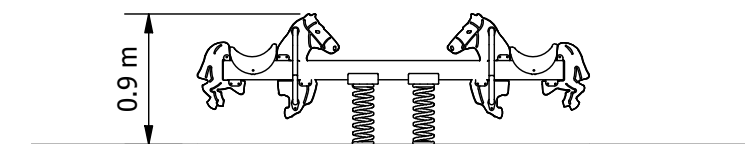
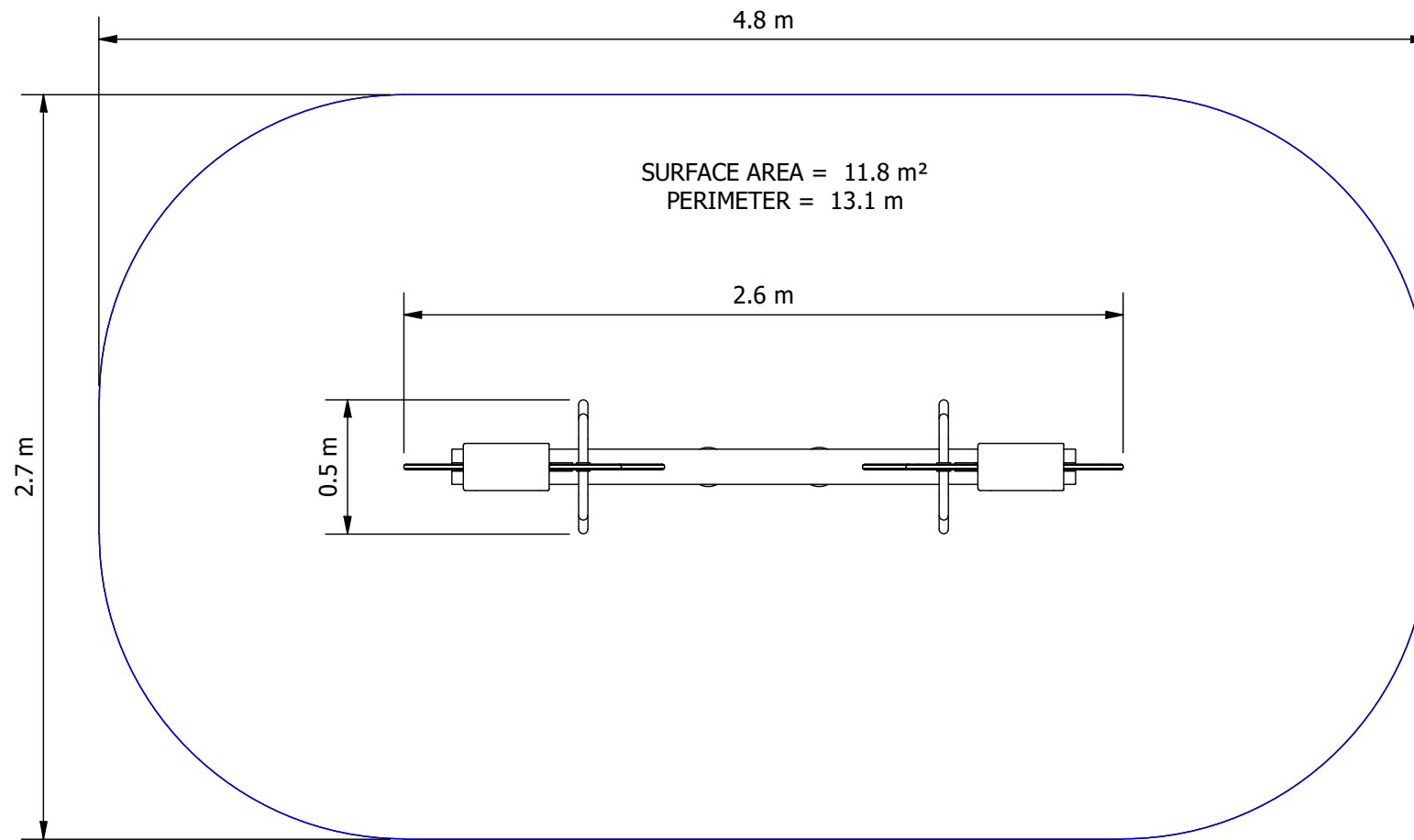


Two Seat Pony Rocker

EQUIPMENT INVENTORY			
ITEM	DESCRIPTION	QTY	FHF (mm)
1	Two Seat 'Pony' Rocker	1	600



PLAY EQUIPMENT FALLZONE LEGEND

- RED - FREE SPACE
MUST BE CLEAR OF ALL OTHER EQUIPMENT, RAISED OBSTACLES & OTHER FALLZONES
- BLUE - FALLING SPACE (> or = FH 600)
MUST NOT OVERLAP ANY OTHER EQUIPMENT OR RAISED OBSTACLE
(EXCEPTIONS NOTED IN AS4586.1:2014 CL 4.2.8.4.)
- ORANGE - FALLING SPACE (< FH 600)
RECOMMENDED MINIMUM CLEARANCE 1.5m (DEPENDENT ON RISK ASSESSMENT)

Site Layout is indicative only & subject to change.
This design is confidential & subject to Copyright.



PLAYGROUND DESIGN COMPLIANT
WITH AS 4685:2021

Design Plan

Design No: **SPR0019FBA-A** | Drawn by: **E.C.**
Date drawn: **1/06/2022**