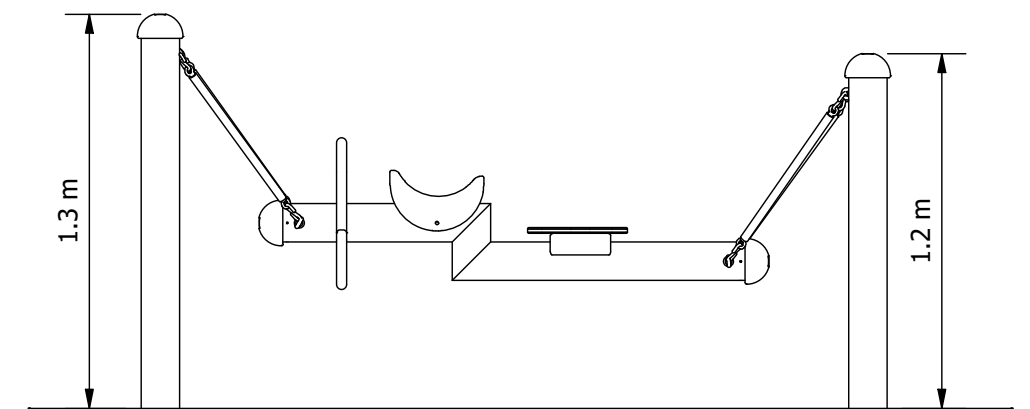
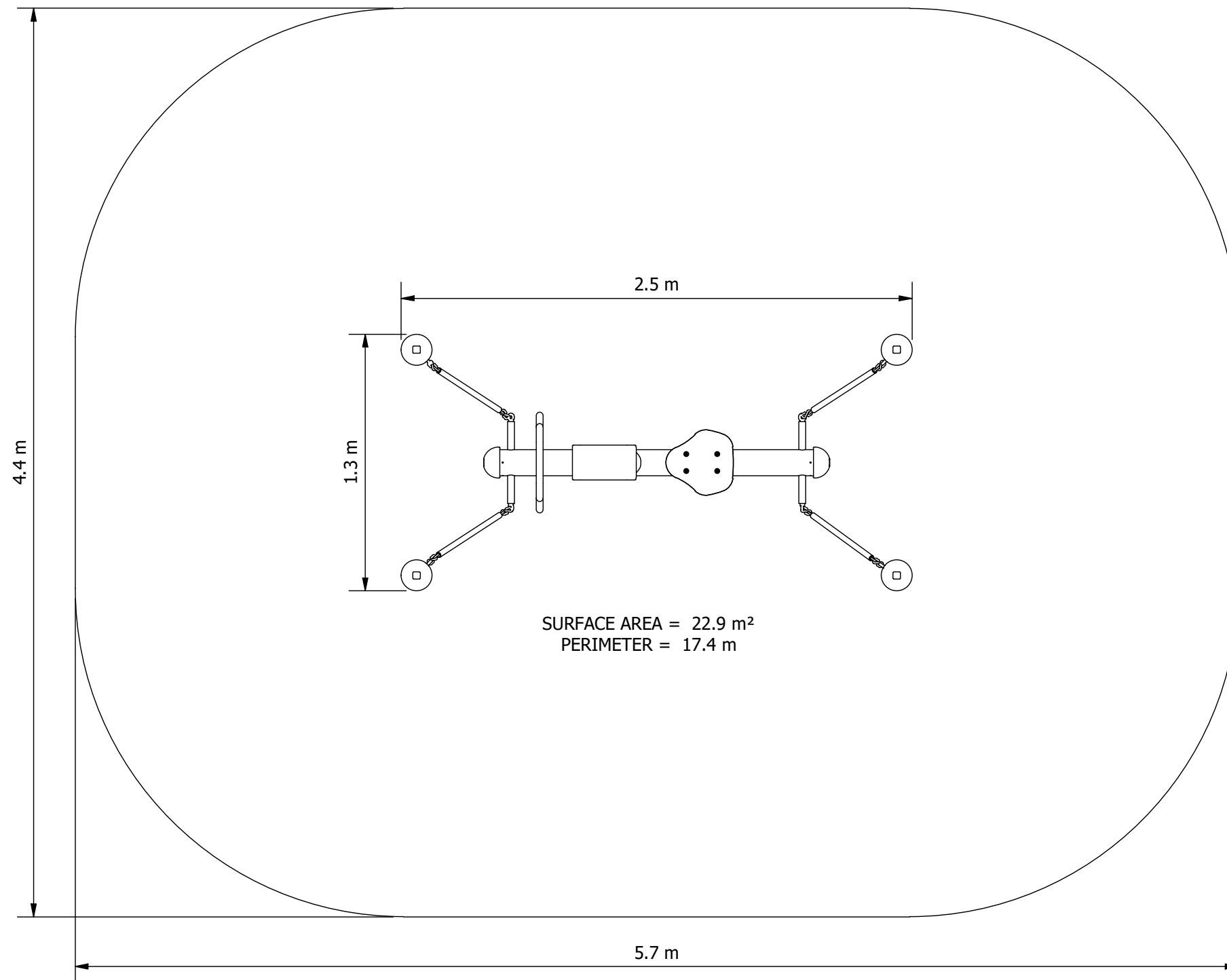


# Tandem Bull Rider - Equal Access

EQUIPMENT INVENTORY		
DESCRIPTION	QTY	FHF (mm)
Tandem Bull Rider with E/A Split Seat	1	600



## ELEVATION:

RECOMMENDED MINIMUM SHADE CLEARANCES

- 2.5M FROM ANY ACCESSIBLE PART OF THE EQUIPMENT TO ANY CLIMBABLE PART OF THE SHADE STRUCTURE
- 1.5M FOR ALL OTHER SITUATIONS

Site Layout is indicative only & subject to change.  
This design is confidential & subject to Copyright.

PLAYGROUND DESIGN COMPLIANT  
WITH AS 4685:2021



## Design Plan

Design No:

**RDR0116FBA-A**

Drawn by: **S.J.**

Date drawn: **1/06/2022**